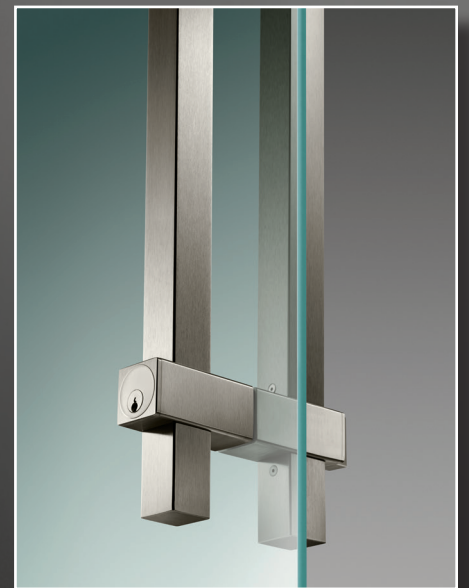


# LOCKING PULL SYSTEM

SIMPLE. DURABLE. BEAUTIFUL.



# LOCKING PULL SYSTEM

SIMPLE, DURABLE,  
BEAUTIFUL DESIGN  
FOR SWINGING AND  
SLIDING DOORS

Since 1946 Rockwood

Manufacturing has been the leading provider of quality builders hardware, specializing in door trim and architectural door pulls.

The Locking Pull System integrates Rockwood's contemporary PostMount or GeoMetek style door pull with a deadbolt locking system. Engineered for ease of installation, the locking pull is manufactured to ensure strength and durability with clean and appealing lines.

## Features:

- Key operated from outside; turn piece on inside
- Cylinder options: Yale® 1109 rim cylinder; Yale K680 SFIC housing, or less cylinder
- Door types:  $\frac{3}{8}$ " -  $\frac{7}{8}$ " thick glass,  $1\frac{3}{8}$ " to  $2\frac{1}{2}$ " thick aluminum, hollow metal or wood doors
- Multiple locking options: floor; head or both
- Bolt location: 2" from face of door to centerline of bolt
- Bolt has  $\frac{1}{16}$ " travel with fine adjustment

---

## Benefits:

- Cylinder and thumbturn location eliminates physical strain when locking and unlocking
- Glass door applications secure the opening without bulky patch fittings or rails
- Bolt concealed inside pull provides a clean, streamlined look
- Simple door preparation allows for faster installation
  - Requires only 2 holes for half height pulls, 3 holes for full height
- Suites with popular ROCKWOOD door pulls, CORBIN RUSSWIN and SARGENT lever handles, MCKINNEY hinges, creating a continuum of design
- Offers flexibility in custom sizes for a variety of applications



# AESTHETIC OPTIONS



## PostMount

### LP3301 Series

PostMount - This basic post mounted pull is a clean and simple design. The simplicity adds contemporary beauty to standard entrance doors.



### LP3401 Series

GripZone - This beautiful bright and brushed two-tone finish provides a "wear" area for gripping the pull. This minimizes the appearance of small scratches caused by rings and keys.



### LP6061 Series

English Bridle Leather Wrapped - Authentic J & E Sedgwick & Co. Ltd. bridle leather imported from Walsall, England is hand sewn by a talented craftsman. Typically used for saddles and equestrian products, this smooth durable leather is suitable for both interior and exterior applications.



### LP6161 Series

Upholstery Leather Wrapped - Supple yet durable leather makes a discriminating statement. Paired with the PostMount Locking Pull, this glove soft leather will add a level of sophistication to your interior.



## GeoMetek

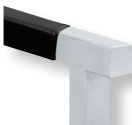
### LP7901 Series

GeoMetek - This series offers a streamlined profile and crisp lines. The square pull complements the shape of the opening creating symmetrically balanced design.



### LP6440 Series

Upholstery Leather Wrapped - Beautifully crafted, the GeoMetek and Upholstery Leather combination produces an elegant composition. The leather is tightly wrapped and neatly sewn on the back and is offered in a plethora of custom colors.



# SUITING OPTIONS

The Locking Pull System was designed to suite with Rockwood's line of Architectural door pulls and accessories. In addition, complementary hardware is available through ASSA ABLOY Group brands including CORBIN RUSSWIN, MCKINNEY and SARGENT.



McKinney two knuckle hinge with flat tips



Leather wrapped lever from Corbin Russwin and SARGENT



Rockwood leather door pull



Rockwood coat hook (left) and door stop (right)



Rockwood leather cabinet pull



McKinney square barrel hinge



Square lever and rose from Corbin Russwin and Sargent



Rockwood door pull



Rockwood coat hook (left) and door stop (right)



Square lever with return and rose from Corbin Russwin and Sargent

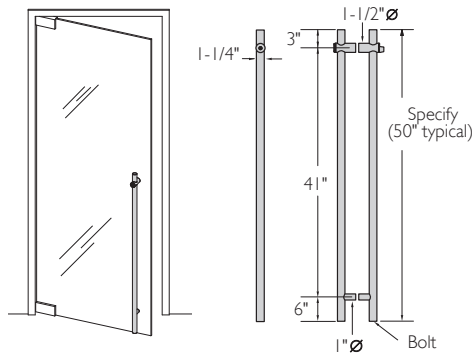


the good design studio

The Good Design Studio — your resource for beautiful doors, frames and hardware from ASSA ABLOY Group brands. Visit [www.thegooddesignstudio.com](http://www.thegooddesignstudio.com) to learn more.



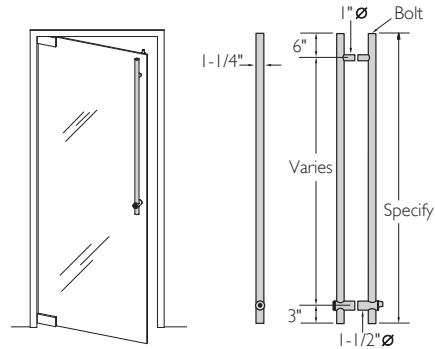
### Half Height Pull - Bolts Down DBD (Dead Bolt Down)



**Typical Pull Length\* - 50"**

\* Nominal Length - Pulls will be sized to fit the job condition. Cylinder must be located 34" to 48" above finished floor to meet ADA requirements.

### Half Height Pull - Bolts Up DBU (Dead Bolt Up)



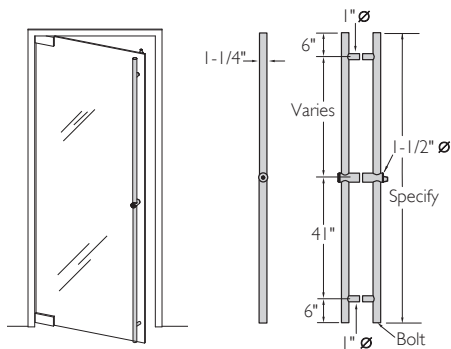
**Recommended Lengths for Door Size**

Door Size	84"	96"	108"	120"
Typical Pull Length*	45"	57"	69"	77"

\* Nominal Length - Pulls will be sized to fit the job condition, placing cylinder at 41" (or as specified) above floor level.

### Full Height Pull - Single and Dual Bolt Models

- FHD (Full Height Down) - Bolts Down
- FHU (Full Height Up) - Bolts Up
- FHB (Full Height Both) - Bolts Up and Down



**Recommended Lengths for Door Size**

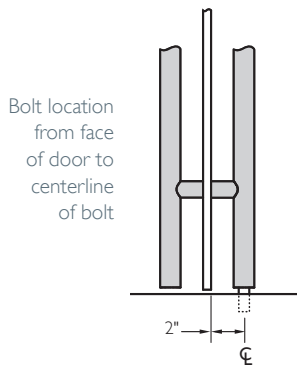
Door Size	84"	96"	108"	120"
Typical Pull Length*	82"	94"	106"	118"

\* Nominal Length - Pulls will be sized to fit the job condition. Cylinder must be located 34" to 48" above finished floor to meet ADA requirements.

# APPLICATION DETAILS

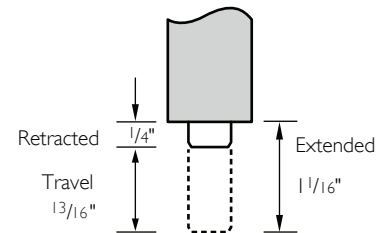
## GLASS DOORS

### Location from Door



All glass door applications include a bushing and washer to insulate the glass from the pull. Sturdy fasteners securely attach the pull to the door making for a durable, trouble free installation. Simple glass prep requires two (or three) round holes.

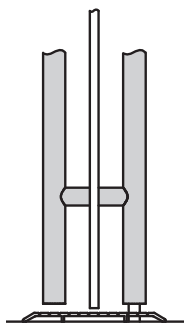
### Bolt Adjustment



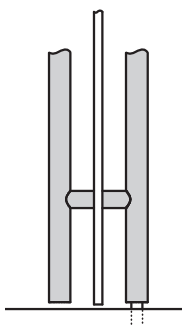
Adjusts 1/4" in and out from the shown factory settings.

### Bolt into Floor Models - Detail at Floor

- DBD - Half Height Pull - Bolts Down
- FHD - Full Height Pull - Bolts Down
- FHB - Full Height Pull - Bolts Up and Down



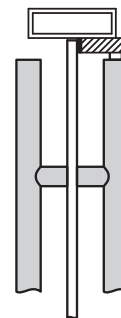
Bottom Detail with Threshold



Bottom Detail without Threshold

### Bolt into Head Models - Detail at Head

- DBU - Half Height Pull - Bolts Up
- FHU - Full Height Pull - Bolts Up
- FHB - Full Height Pull - Bolts Up and Down

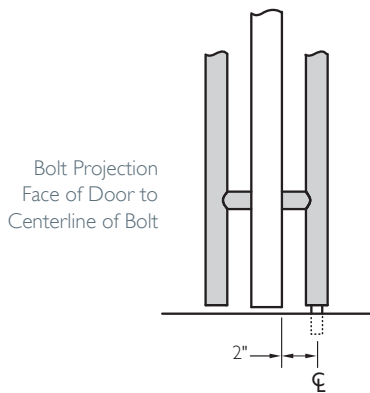


Head Detail with Surface Strike  
Typical configuration shown

# APPLICATION DETAILS

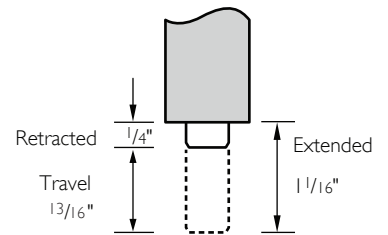
## ALUMINUM, WOOD AND HOLLOW METAL DOORS

### Location from Door



Locking pulls are available for 1 3/8" to 2 1/2" thick aluminum, wood or hollow metal doors.

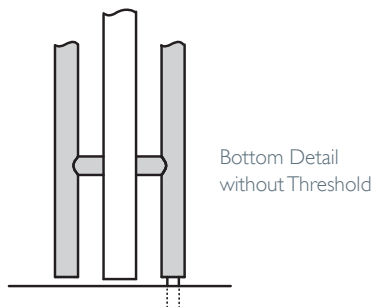
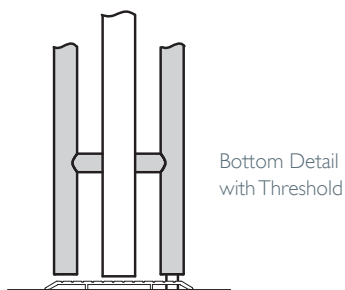
### Bolt Adjustment



Adjusts 1/4" in and out from the shown factory settings.

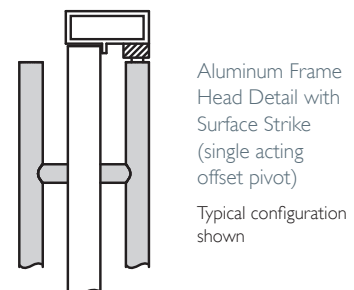
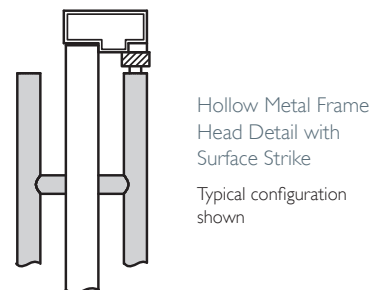
### Bolt into Floor Models - Detail at Floor

- DBD - Half Height Pull - Bolts Down
- FHD - Full Height Pull - Bolts Down
- FHB - Full Height Pull - Bolts Up and Down



### Bolt into Head Models - Detail at Head

- DBU - Half Height Pull - Bolts Up
- FHU - Full Height Pull - Bolts Up
- FHB - Full Height Pull - Bolts Up and Down

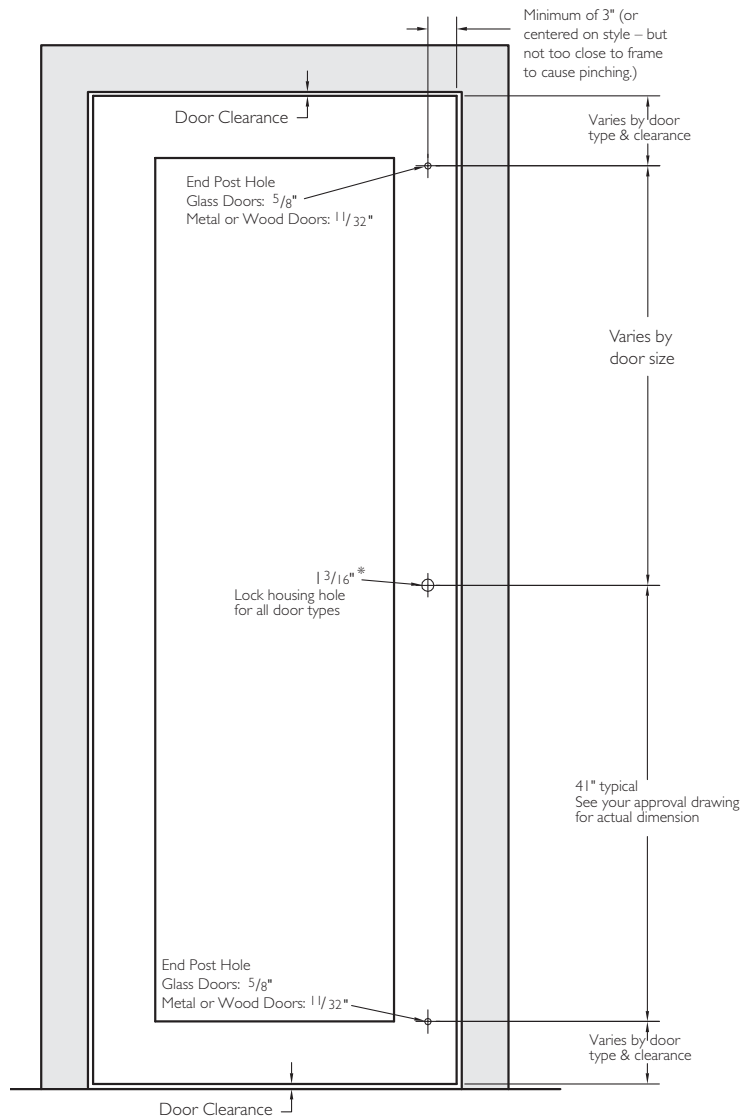




# APPLICATION DETAILS

## ALUMINUM, WOOD, HOLLOW METAL AND GLASS DOORS

### Installation Reference



### Holes Sizes Required

#### Glass Door

- End Posts: 5/8" Ø
- Lock Housing: 1 3/16" Ø

#### Aluminum, Wood, Hollow Metal Doors:

- End Posts: 1 1/32"
- Lock Housing: 1 3/16"

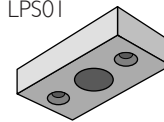
### Notes:

1. Only drill the **holes required** for the model you are installing.
2. Only full height locking pulls require all three holes.

### Top Strike Options

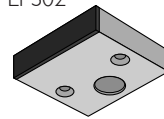
#### Custom Strikes Available

LPS01



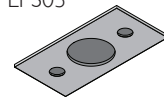
- 3/4" x 1 1/2" x 3"

LPS02



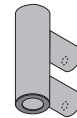
- 3/4" x 2 1/2" x 3"
- Rubber Stop

LPS03



- 050" x 1 1/8" x 2 1/4"

LPS04



- 1/4" dia. x 4 1/2" h

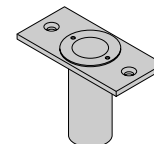
LPS05



- 1/4" dia. x 4 1/2" h

### Bottom Strike Option

#570



Dustproof Strike  
#570

# ORDERING INFORMATION

Series*	Description
LP330I	Plain PostMount
LP340I	PostMount GripZone
LP606I	PostMount English Bridle Leather Wrapped
LP616I	PostMount Upholstery Leather Wrapped
LP790I	Plain GeoMetek
LP6440	GeoMetek Upholstery Leather Wrapped

\* Specify "DP" in front of series number for dummy locking pull. Example: DP330I

Suffix*	Description
DBD	Half Height, Bolts Down
DBU	Half Height, Bolts Up
FHD	Full Height, Bolts, Down
FHU	Full Height, Bolts Up
FHB	Full Height, Bolts Up and Down

\* Specify "ADA" after suffix for Large Thumbturn

\* Specify "TT" after suffix for Thumbturn only, no cylinder

## PostMount Finishes:

Polished Brass	605	(US3)
Satin Brass	606	(US4)
Satin Oxidized Clear Coated	614	(US10BL)
Dark Satin Bronze Equivalent	613E	(US10BE)
Polished Stainless Steel	629	(US32)
Satin Stainless Steel	630	(US32D)
Satin Stainless Steel with MicroShield®	–	(US32DMS)
Polished Stainless Steel with MicroShield®	–	(US32MS)

## GeoMetek Finishes:

Dark Satin Bronze Equivalent	613E	(US10BE)
Polished Stainless Steel	629	(US32)
Satin Stainless Steel	630	(US32D)
Satin Stainless Steel with MicroShield®	–	(US32DMS)
Polished Stainless Steel with MicroShield®	–	(US32MS)

## How to Order Example:

Quantity	Series	Suffix	Finish	Door Material	Door Type	Door Thickness	Door Size	Door Clearance	Strike	Cylinder
1	LP330I	DBD	630	Glass	Swinging	½"	83½"	¼" at Bottom	None	Less Cylinder
2	LP340I	DBU	629	Wood	Sliding	1¾"	93¼"	⅛" at Top	LPS02	Yale® 1109 rim cylinder

Glass Door Thickness - ⅜" to ⅞"

Aluminum, Wood, Metal Door Thickness - 1¼" to 2½"

## Cylinder Options:

- Yale 1109 rim cylinder, 6-pin, 1147 tailpiece, EIR keyway (keyed random)
- Yale K680 Small format interchangeable core housing (SFIC)
- Large format interchangeable core housing (LFIC)
- Less cylinder

## Custom Engraving

- GeoMetek style only
- Contact the factory for info



**ROCKWOOD®**  
**ASSA ABLOY**



## MicroShield®

As part of their promise to provide innovative solutions to their customers, certain ASSA ABLOY Group brands offer the MicroShield® technology, a silver-based antimicrobial coating designed to inhibit the growth of bacteria.

MicroShield® is a registered trademark of Yale Security Inc., an ASSA ABLOY Group company.

# ORDERING INFORMATION

## Leather Finish Standard Color Selections:

### English Bridle Leather



**B-LBRN**  
(Light Brown)



**B-BUR**  
(Burgundy)



**B-MBRN**  
(Medium Brown)



**B-DBRN**  
(Dark Brown)



**B-BLK**  
(Black)

### Upholstery Leather



**U-DBRN**  
(Dark Brown)



**U-BLK**  
(Black)

Custom colors available

## Accessories

*(Ordered separately)*

- LPS01 Top Strike
- LPS02 Top Strike
- LPS03 Top Strike
- LPS04 Transom Strike
- LPS05 Transom Strike
- 570 Dustproof Bottom Strike
- RM850 Door Stop
- Custom Strikes for unique conditions
- ADA Thumbturn



570 Dustproof  
Bottom Strike



RM850 Door Stop

## Thumbturns:



PostMount Thumbturn  
(comes standard)



GeoMetek Thumbturn  
(comes standard)



ADA Thumbturn  
(PostMount only,  
ordered as a suffix)

Contact your local ASSA ABLOY Door Security Solutions team for more information on our Locking Door Pull systems or other Rockwood products.



**ROCKWOOD**<sup>®</sup>  
**ASSA ABLOY**

ASSA ABLOY is the global leader in door opening solutions, dedicated to satisfying end-user needs for security, safety and convenience

Rockwood Manufacturing Company  
Rockwood, Pennsylvania 15557

Phone: (800) 458-2424 • Fax: (800) 922-9212

[www.rockwoodmfg.com](http://www.rockwoodmfg.com) • [info@rockwoodmfg.com](mailto:info@rockwoodmfg.com)

Copyright © 2011-2012, Rockwood Manufacturing Company, an ASSA ABLOY Group company. All rights reserved. Reproduction in whole or in part without the express written permission of Rockwood Manufacturing Company is prohibited.

© 8.12 RMC - RM165