

The background of the page is a black and white photograph of a modern glass and metal structure. It shows a glass wall with a metal frame and a glass door with a handle. The lighting is soft, creating a clean and professional atmosphere.

PATCH FITTINGS

Universal, ARCOS & EA Patch Fittings for Tempered Glass Assemblies

CONTENTS

DORMA Patch Fittings	Overview	3
	Patch Fitting Selection Chart	4
	Standard Assembly Types	5
Universal Patch Fittings	General Information	6
	Type Selection	7
	Universal Patch Fittings	8
	Universal Connectors	10
	Glass Preparation Details	15
	Construction	20
ARCOS Universal Patch Fittings	General Information	21
	Type Selection	22
	ARCOS Universal Patch Fittings	23
	ARCOS Universal Connectors	25
	Glass Preparation Details	26
	Construction	27
DORMA EA Patch Fittings	General Information	28
	DORMA EA Patch Fittings	30
	DORMA EA Top Centers for Wood and Steel Frames	32
	Glass Preparation Details	33
Accessories	Floor Bearings, Floor Sockets	34
	Pivots	35
	Fixing Plates, Threaded Rod, Patch Lock	36
	Fin Usage and Assembly	38
	Mechanical Channel, Clamping Fittings	39
	Clip-on Cover Profile, End Caps	39



DORMA PATCH FITTINGS

For tempered glass assemblies

DORMA offers one of the most comprehensive ranges of patch fittings available today, providing tempered glass assemblies that are technically sound and visually attractive. This range gives the architect or designer a wide variety of creative options for expression with tempered glass—either internally or externally.

All DORMA fittings are based on a modular system, consisting of a base unit, functional inserts, and clip-on covers in a wide range of finishes. Glass preparations are quick and easy. Quality materials and thorough workmanship guarantee a long service life and a reflection of excellence for years to come.

In addition to standard patch fitting solutions found in the DORMA USA, Inc offering, the DORMA family may have additional products available to address unusual, curved, angled or other application challenges.

Please contact our Customer Service or Technical Service teams for assistance with application solutions not found in America's literature or price lists. Additional cost and lead-time may be required.

General care instructions

The surface finishes of the fittings are not maintenance-free and should be cleaned according to their material and design.

- For metallic surfaces (anodized finishes, stainless steel), please use only appropriate cleaning agents without abrasive additives.
- For varnished surfaces, please use only appropriate solvent-free cleaning agents.
- Brass surfaces (without surface protection) have to be treated occasionally with an appropriate maintenance agent to avoid tarnishing.



DORMA Universal

With their broad range of options and configurations, DORMA Universal patch fittings are ideal for almost any design. Tempered glass assemblies are provided with fixed parts in a variety of arrangements—with corner fittings or fin fittings at different angles, and with double or single-action doors in single-leaf or double-leaf designs.



ARCOS Universal

The ARCOS Universal range offers patch fittings and connector hardware for transoms and sidelites, and fin fittings for particularly large systems—with the curved arc motif of the ARCOS design always incorporated into each component. Gentle reflections that change with the planes give both the glass and its fittings a uniform appearance.



DORMA EA

DORMA EA patch fittings are characterized by their slim, neat shape and skillful Euro hinge design. This comprehensive range of fittings allows the transparent elegance of single-acting doors to reach their full potential—whether hung in frames or integrated into tempered glass openings.

PATCH FITTING SELECTION CHART

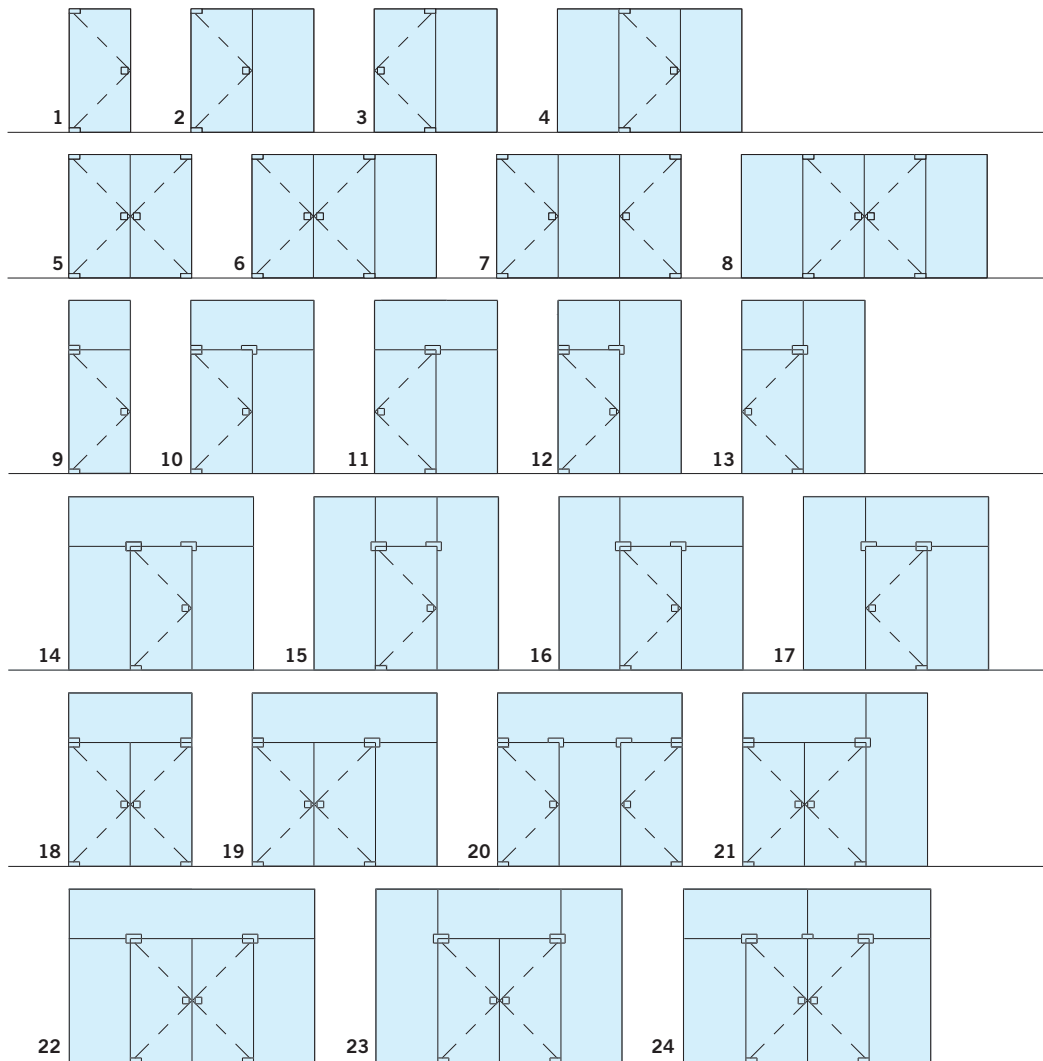
Applications & features	DORMA Universal	ARCOS Universal	DORMA EA	Accessories
For external assemblies	+++	+++	+++	
For internal assemblies	+++	+++	+++	
For standard tempered glass applications	+++	+++	+++	
For individually designed assemblies with corner fittings, fin fittings, etc.	+++	+	+	+++
For double-acting doors	•	•		
For single-acting doors	•	•	•	
Glass thickness – in (mm)	3/8" (10), 1/2" (12) ¹	3/8" (10), 1/2" (12) ¹	3/8" (10), 1/2" (12) ¹	
Max. door weight– lb (kg)	275 lb (125 kg)	220 lb (100 kg)	220 lb (100 kg)	
Max. door width – in (mm)	48" (1219)	43" (1092)	43" (1092)	
Materials & finishes				
Aluminum, silver anodized, EV1 (101)	■		■	
Similar to satin stainless (107)			■	
Aluminum, dark bronze anodized (108)	■		■	
Black anodized (109)	■	■		
Aluminum, EV1 (114)		■		
Special anodizing (199)	■		■	
Special clad plated (299)	■	■		
Brass, polished (503)	■	■ ²	■ ²	
Brass, satin chrome plated (500)	■		■ ²	
Satin brass w/o lacquer (599)	■			
Satin bronze no lacquer (600)	■			
Polished bronze w/o lacquer (601)	■			
Stainless steel, satin (700)	■	■		
Stainless steel, polish (701)	■	■		
Special painter powder coating (999)	■ ²	■	■	
Page	6	21	28	34

- +++ Suitable
- + Partially Suitable
- Standard
- Optional
- ¹ Under certain circumstances also 5/8" (16) and 3/4" (19) glass thickness
- ² Available upon request

NOTE:
All measurements are shown in inches followed by (millimeters); for example: 3/8" (10).



STANDARD ASSEMBLY TYPES



DORMA UNIVERSAL

Universal ... as the name says

With their broad range of options and configurations, DORMA Universal patch fittings are ideal for almost any design. Tempered glass assemblies are provided with fixed parts in a variety of arrangements—with corner fittings or fin fittings at different angles, and with double or single-acting doors in single-leaf or double-leaf designs.

Easy glass preparation, secure mounting

DORMA understands the special properties of glass as a building material, designing fittings that require only minimal glass preparation—a quick and easy cut-out with additional holes. Careful consideration and positive measures have been taken to create the maximum clamping surface with optimum clamping efficiency.

Suitable for common glass thicknesses

DORMA Universal fittings are available for 3/8" (10) through 3/4" (19) for most fittings.

Reliability built in

Quality materials and thorough workmanship mean that DORMA Universal fittings have the features necessary to meet the most demanding specifications. The fittings are designed to withstand large and heavy doors up to a maximum weight of 275 lb (125 kg). Rails are available for heavier doors (330 lb [150 kg] maximum), wider doors (48" [1219] maximum), and high traffic doors.

Matching range of locks

The DORMA Universal range includes every type of accessory, and of course, a variety of locks and strike boxes in a matching design concept, giving the designer plenty of options to choose from. Contact Customer Service for more details.

Short delivery times

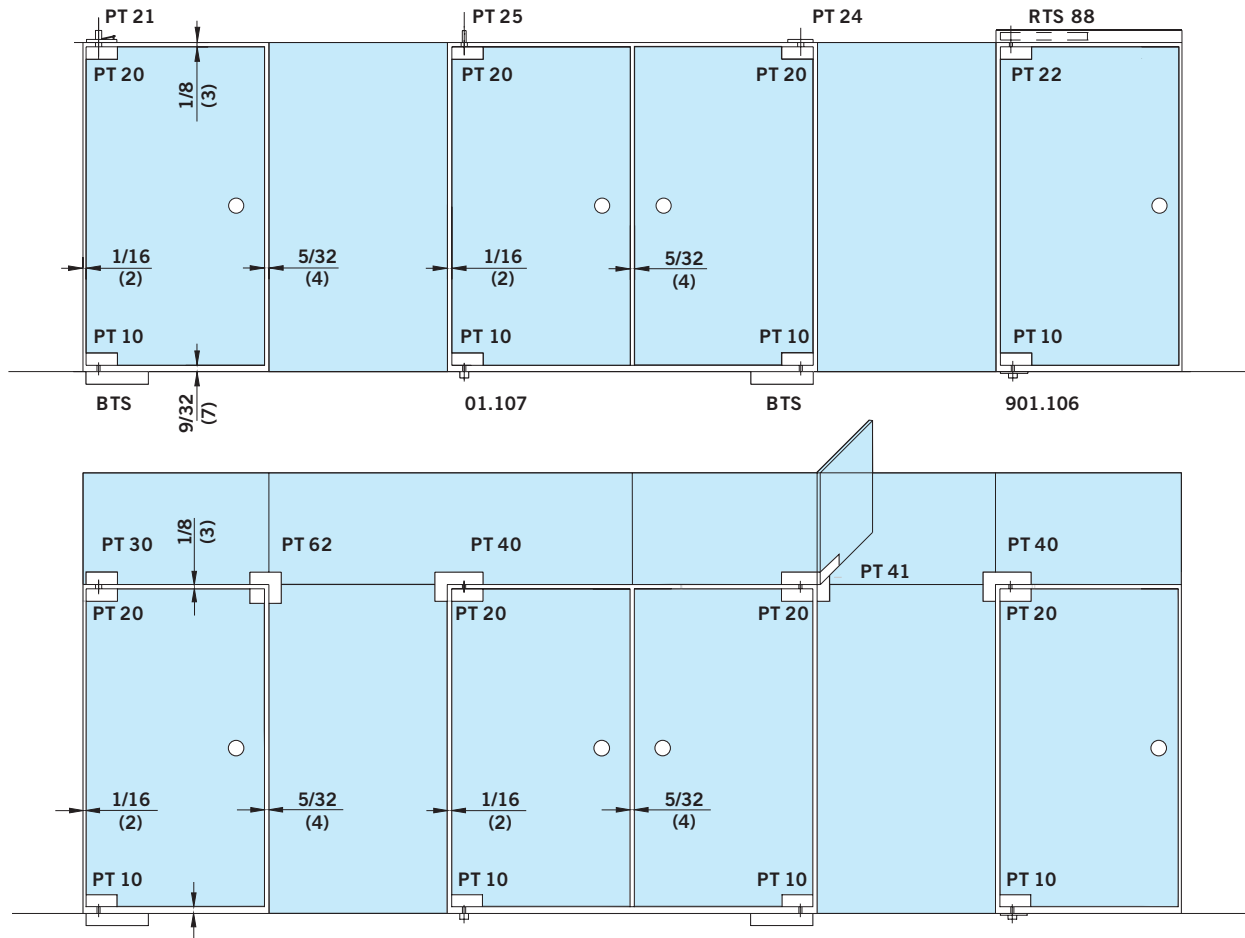
Most common patch fittings and finishes are available quickly.



TYPE SELECTION

Tempered glass assemblies with fittings 2-3/4" (70) pivot point.

For all standard assembly types, see page 5.



BTS = Floor closer
PT = Center hung door fittings
RTS = Header/Transom closer (see Technical Information DORMA RTS Series for details)

Maximum door weight & width for DORMA Universal fittings

Max. door weight
 275 lb (125 kg)
Max. door width
 48" (1219)

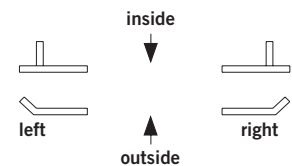
For door weights up to 330 lb (150 kg) and widths up to 48" (1219), DRS door rails should be used.

Torque for mounting screws

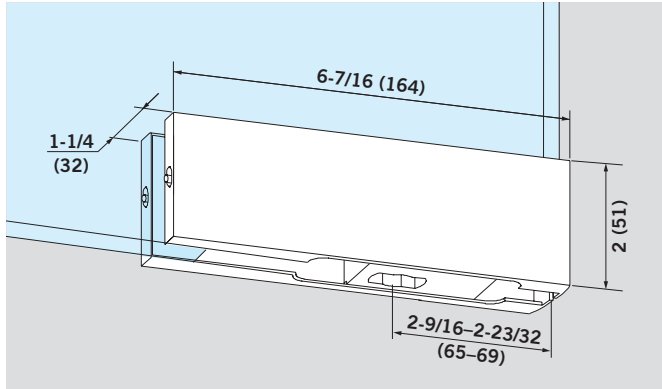
Screws M 6
 7.5 lb-ft / 10 Nm (4)*
Screws M 6
 11 lb-ft / 15 Nm (5)*
Screws M 8
 15 lb-ft / 20 Nm (5)*
 *Allan key size

NOTE:

If angle fittings or fin fittings are used "Left" or "Right" has to be determined by view from outside and above.



PATCH FITTINGS



PT 10 bottom patch

with insert for DORMA floor closer, pivot, or round pivot
 Ø 9/16" (14)

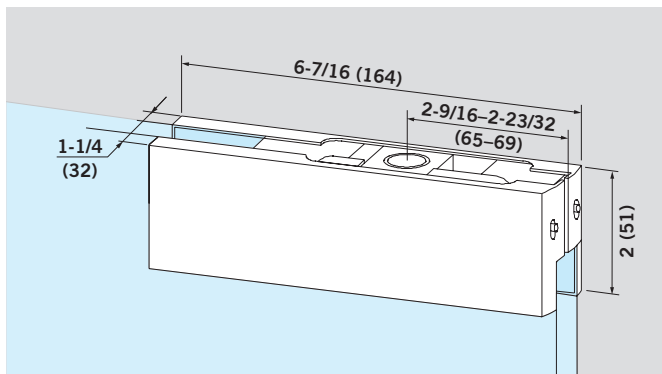
- 3/8" (10) glass
Ref. No. 833.300
- 1/2" (12) glass
Ref. No. 833.100
- 5/8" (16) glass
Ref. No. 833.301
- 3/4" (19) glass
Ref. No. 833.101

Pivot location

2-3/4" (70)

Weight in lb (kg)

Aluminum	1.241 (0.564)
Brass	1.496 (0.680)
Stainless steel	1.456 (0.662)



PT 20 top patch

with safety insert for top pivot Ø 19/32" (15)
 used with PT21

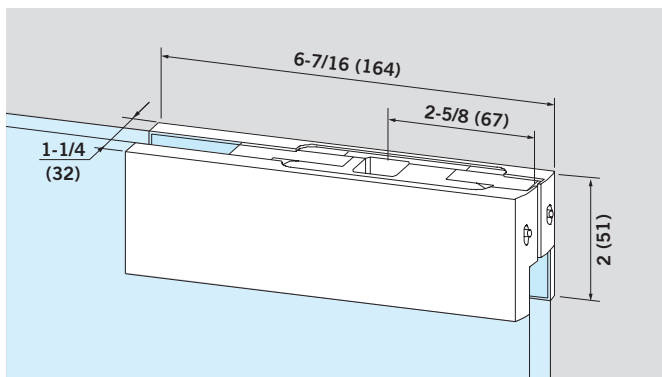
- 3/8" (10) glass
Ref. No. 833.310
- 1/2" (12) glass
Ref. No. 833.110
- 5/8" (16) glass
Ref. No. 833.311
- 3/4" (19) glass
Ref. No. 833.111

Pivot location

2-3/4" (70)

Weight in lb (kg)

Aluminum	1.049 (0.477)
Brass	1.305 (0.593)
Stainless steel	1.265 (0.575)



PT 22 top patch

with insert for DORMA RTS concealed overhead closer

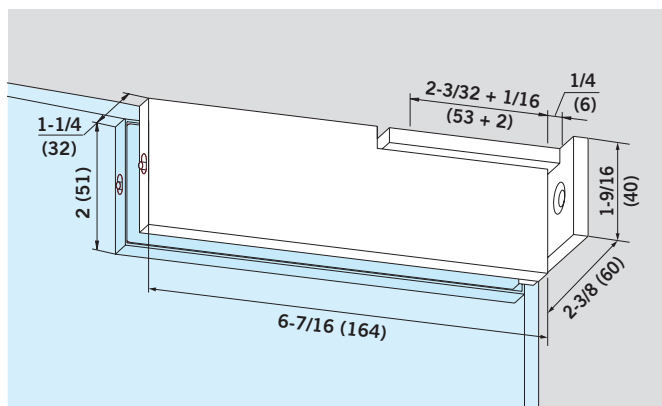
- 3/8" (10) glass
Ref. No. 833.312
- 1/2" (12) glass
Ref. No. 833.112
- 5/8" (16) glass
Ref. No. 833.313
- 3/4" (19) glass
Ref. No. 833.113

Pivot location

2-3/4" (70)

Weight in lb (kg)

Aluminum	1.272 (0.578)
Brass	1.529 (0.695)
Stainless steel	1.489 (0.677)



PT 29 top patch

with pivot fixing plate, wall mount

- 3/8" (10) glass
Ref. No. 833.314
- 1/2" (12) glass
Ref. No. 833.109
- 5/8" (16) glass
Ref. No. n/a
- 3/4" (19) glass
Ref. No. n/a

Pivot location

2-3/16" (55)

Weight in lb (kg)

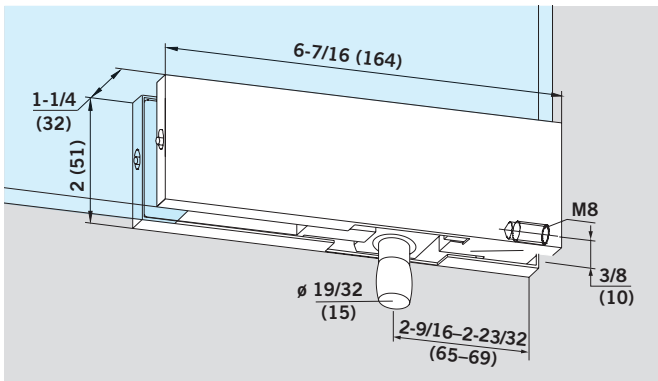
Aluminum	1.197 (0.544)
Brass	1.522 (0.692)
Stainless steel	1.483 (0.674)

Max. door width

39-3/8" (1000)

Max. door weight

155 lb (70 kg)



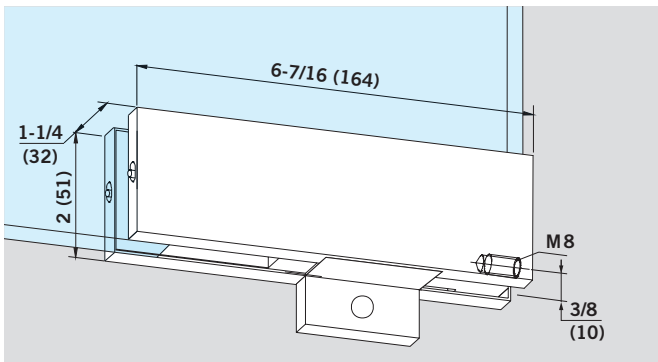
PT 30 transom patch
with pivot \varnothing 19/32" (15),
with M8 tapped hole at side

- 3/8" (10) glass
Ref. No. 833.330
- 1/2" (12) glass
Ref. No. 833.131
- 5/8" (16) glass
Ref. No. 833.321
- 3/4" (19) glass
Ref. No. 833.121

Pivot location
2-3/4" (70)

Weight in lb (kg)

Aluminum	1.162 (0.528)
Brass	1.439 (0.654)
Stainless steel	1.399 (0.636)



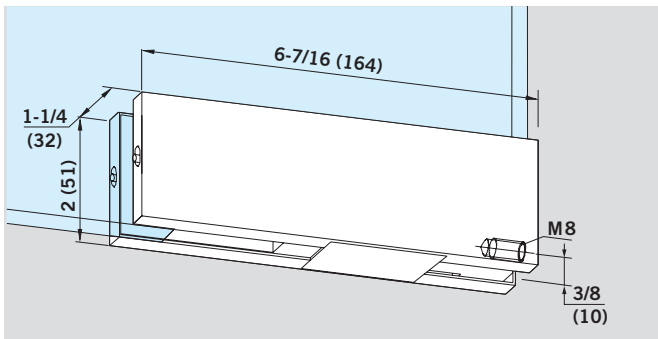
PT 30 transom patch
with stop insert, with
M8 tapped hole at side

- 3/8" (10) glass
Ref. No. 833.332
- 1/2" (12) glass
Ref. No. 833.132
- 5/8" (16) glass
Ref. No. 833.333
- 3/4" (19) glass
Ref. No. 833.133

Pivot location
2-3/4" (70)

Weight in lb (kg)

Aluminum	1.162 (0.528)
Brass	1.439 (0.654)
Stainless steel	1.276 (0.580)

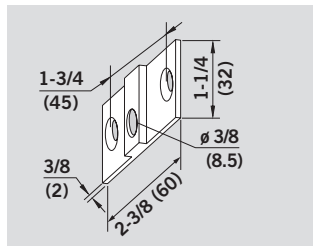


PT 30 transom patch
with blank insert, with
M8 tapped hole at side

- 3/8" (10) glass
Ref. No. 833.334
- 1/2" (12) glass
Ref. No. 833.134
- 5/8" (16) glass
Ref. No. 833.335
- 3/4" (19) glass
Ref. No. 833.135

Weight in lb (kg)

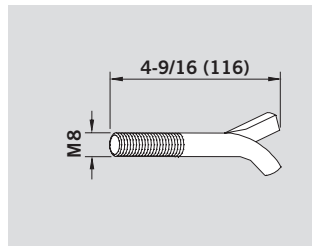
Aluminum	1.142 (0.519)
Brass	1.419 (0.645)
Stainless steel	1.256 (0.571)



Fixing plate
for transom patch PT 30
Ref. No. 903.128

Weight in lb (kg)

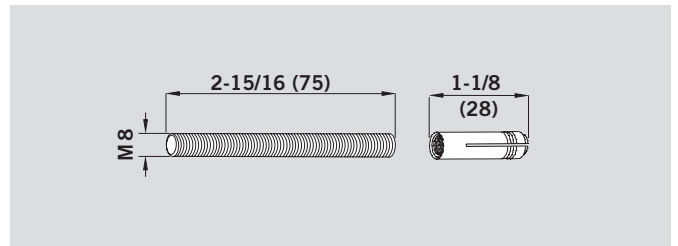
Aluminum	0.035 (0.016)
Brass	0.084 (0.038)
Stainless Steel	not available
Satin Chrome on Brass	supplied.



Wall anchor
with thread M 8 for transom
patch PT 30
Ref. No. 901.133

Weight in lb (kg)

0.088 (0.040)

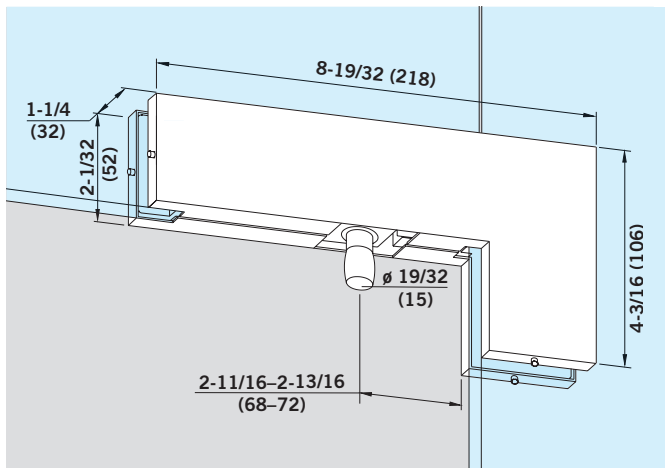


Threaded rod
M 8 with plug for transom
patch PT 30
Ref. No. 901.134

Weight in lb (kg)

0.070 (0.032)

CONNECTORS



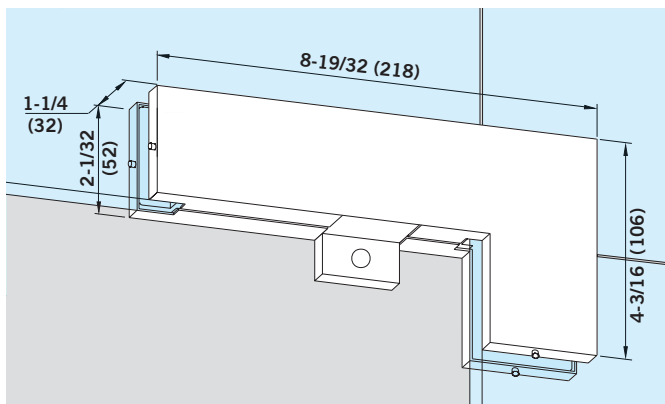
PT 40 transom sidelite patch with pivot \varnothing 19/32 (15)

- 3/8" (10) glass
Ref. No. 833.343
- 1/2" (12) glass
Ref. No. 833.143
- 5/8" (16) glass
Ref. No. 833.344
- 3/4" (19) glass
Ref. No. 833.144

Pivot location
2-3/4" (70)

Weight in lb (kg)

Aluminum	2.955 (0.755)
Brass	2.108 (0.958)
Stainless steel	2.061 (0.937)

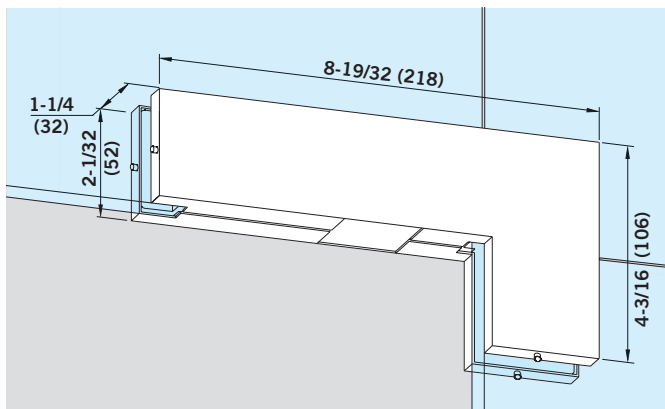


PT 40 transom sidelite patch with stop insert

- 3/8" (10) glass
Ref. No. 833.336
- 1/2" (12) glass
Ref. No. 833.136
- 5/8" (16) glass
Ref. No. 833.337
- 3/4" (19) glass
Ref. No. 833.137

Weight in lb (kg)

Aluminum	1.661 (0.755)
Brass	2.108 (0.958)
Stainless steel	2.061 (0.937)



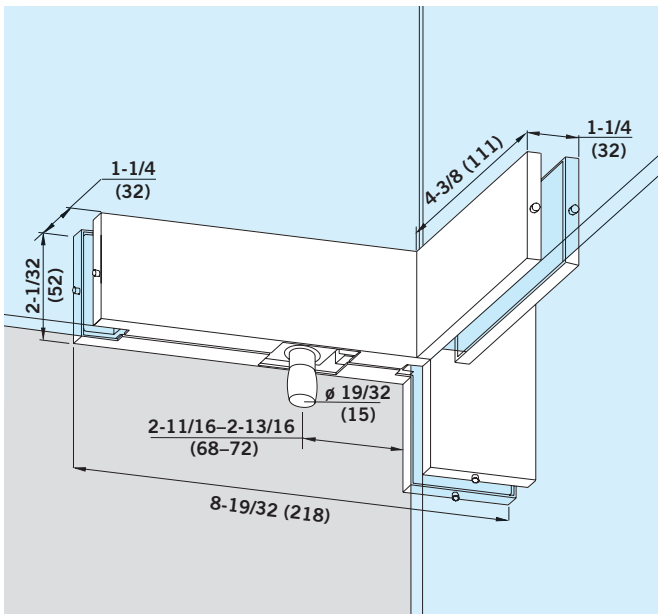
PT 40 transom sidelite patch with blank insert

- 3/8" (10) glass
Ref. No. 833.338
- 1/2" (12) glass
Ref. No. 833.138
- 5/8" (16) glass
Ref. No. 833.339
- 3/4" (19) glass
Ref. No. 833.139

Weight in lb (kg)

Aluminum	1.641 (0.746)
Brass	2.088 (0.949)
Stainless steel	2.042 (0.928)

* Left hand fin (illustration shows left hand) / Right hand fin. Left or right hand is determined by view from outside.



PT 41 transom sidelite patch with fin fitting inside
with pivot ϕ 19/32 (15) (shown) (LH)/(RH)

- 3/8" (10) glass
Ref. No. *833.355/833.354
- 1/2" (12) glass
Ref. No. *833.155/833.154
- 5/8" (16) glass
Ref. No. *833.356/833.357
- 3/4" (19) glass
Ref. No. *833.156/833.157

Pivot location
2-3/4" (70)

Weight in lb (kg)

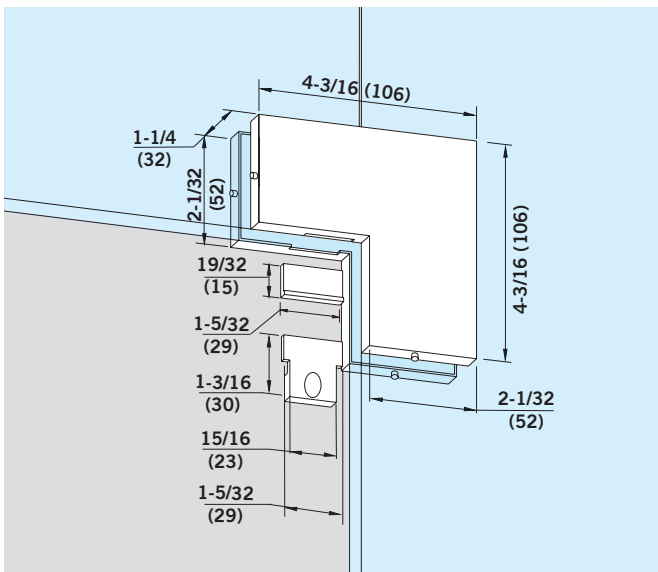
Aluminum	2.094 (0.952)
Brass	2.708 (1.231)
Stainless steel	2.633 (1.197)

PT 41 transom sidelite patch with fin fitting inside
with stop insert (not shown) (LH)/(RH)

- 3/8" (10) glass
Ref. No. *833.391/833.393
- 1/2" (12) glass
Ref. No. *833.191/833.193
- 5/8" (16) glass
Ref. No. *833.392/833.394
- 3/4" (19) glass
Ref. No. *833.192/833.194

PT 41 transom sidelite patch with fin fitting inside
with blank insert (not shown) (LH)/(RH)

- 3/8" (10) glass
Ref. No. *833.395/833.397
- 1/2" (12) glass
Ref. No. *833.195/833.197
- 5/8" (16) glass
Ref. No. *833.396/833.398
- 3/4" (19) glass
Ref. No. *833.196/833.198



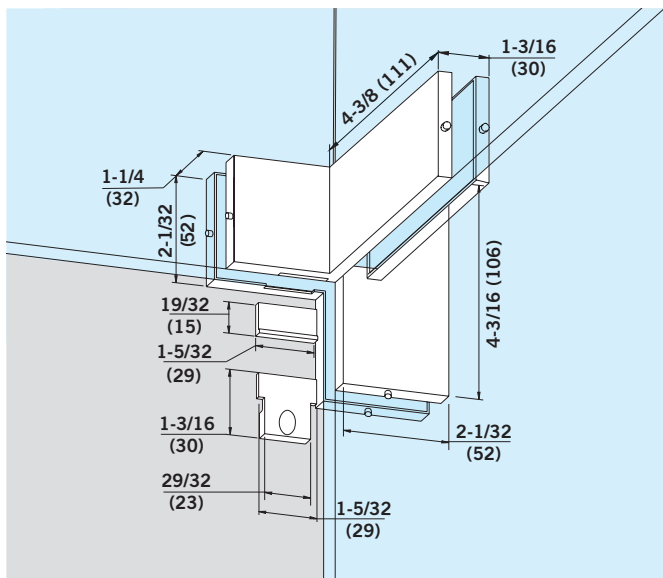
PT 60/61 transom sidelite connector
for double or single acting doors,
includes 1 stop and 2 blank inserts

- 3/8" (10) glass
Ref. No. 803.150
- 1/2" (12) glass
Ref. No. 803.150
- 5/8" (16) glass
Ref. No. 803.452
- 3/4" (19) glass
Ref. No. 803.452

Specify glass thickness.

Weight in lb (kg)

Aluminum	0.755 (0.343)
Brass	1.014 (0.461)
Stainless steel	0.959 (0.436)



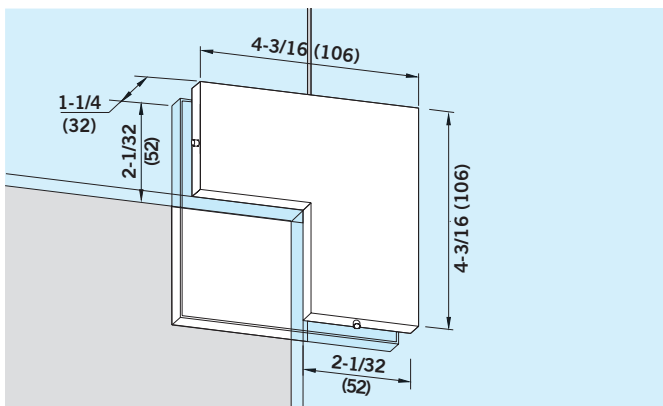
PT 60/61 transom sidelite connector with fin fitting inside
for double or single acting doors, includes 1 stop and 2 blank inserts (LH)/(RH)

- 3/8" (10) glass
Ref. No. 803.158/803.157
- 1/2" (12) glass
Ref. No. 803.158/803.157
- 5/8" (16) glass
Ref. No. n/a
- 3/4" (19) glass
Ref. No. n/a

Weight in lb (kg)

Aluminum	0.986 (0.448)
Brass	1.415 (0.643)
Stainless steel	1.320 (0.600)

Left hand fin (illustration shows left hand) / Right hand fin. Left or right hand is determined by view from outside.

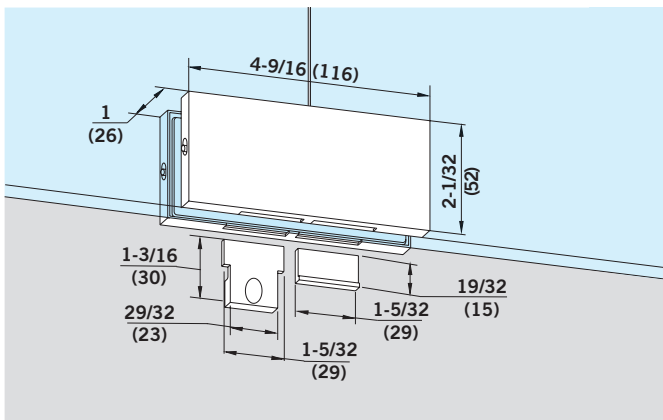


PT 62 transom sidelite connector with fixed stop

- 3/8" (10) glass
Ref. No. 803.173
- 1/2" (12) glass
Ref. No. 803.173
- 5/8" (16) glass
Ref. No. n/a
- 3/4" (19) glass
Ref. No. n/a

Weight in lb (kg)

Aluminum	1.045 (0.475)
Brass	1.507 (0.685)
Stainless steel	1.474 (0.670)



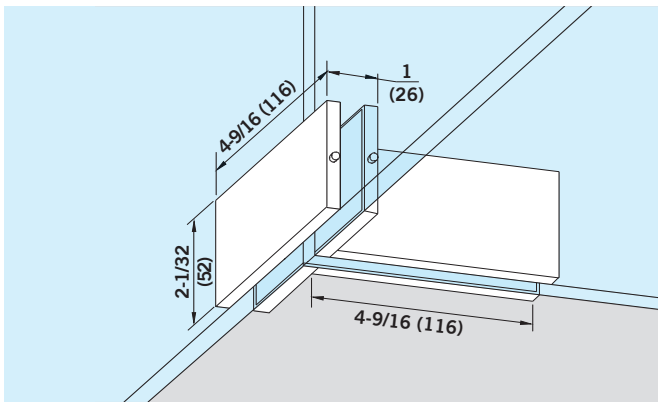
PT 70 transom connector
includes 2 stop and 2 blank inserts

- 3/8" (10) glass
Ref. No. 801.150
- 1/2" (12) glass
Ref. No. 801.150
- 5/8" (16) glass
Ref. No. 801.158
- 3/4" (19) glass
Ref. No. 803.158

Weight in lb (kg)

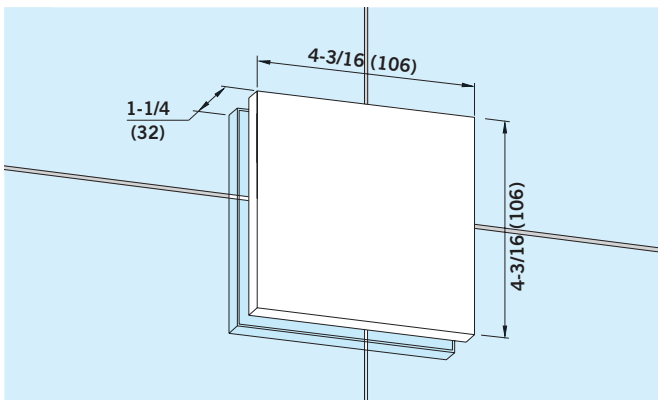
Aluminum	0.598 (0.272)
Brass	0.766 (0.348)
Stainless steel	0.737 (0.335)

Specify glass thickness.



PT 71 transom connector
with fin fitting
- 3/8" (10) glass
Ref. No. 801.161
- 1/2" (12) glass
Ref. No. 801.161

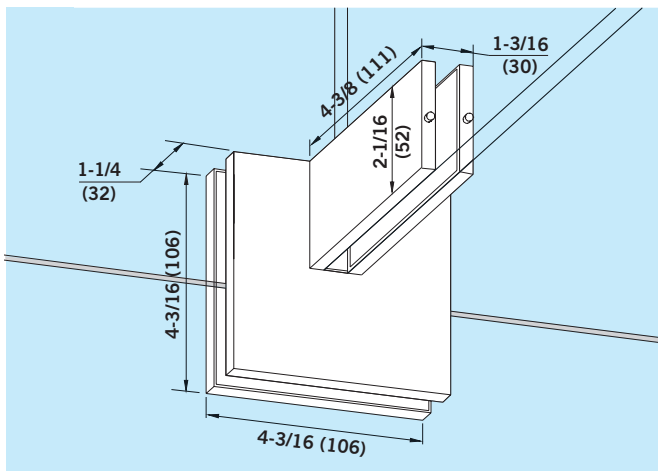
Weight in lb (kg)	
Aluminum	1.008 (0.458)
Brass	1.375 (0.625)
Stainless steel	1.338 (0.608)



PT 80 connector
- 3/8" (10) glass
Ref. No. 803.170
- 1/2" (12) glass
Ref. No. 803.170
- 5/8" (16) glass
Ref. No. 803.472
- 3/4" (19) glass
Ref. No. 803.472

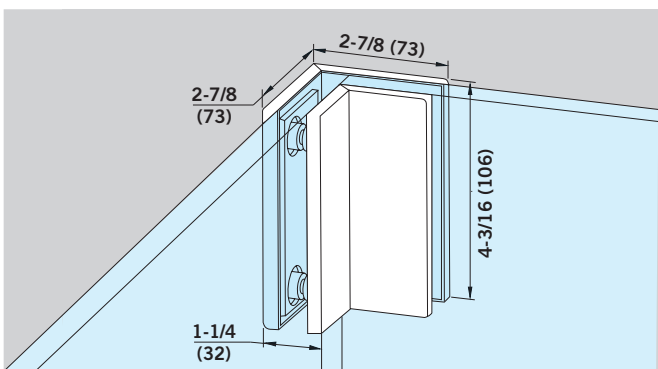
Weight in lb (kg)	
Aluminum	1.221 (0.555)
Brass	1.760 (0.800)
Stainless steel	1.716 (0.780)

Specify glass thickness



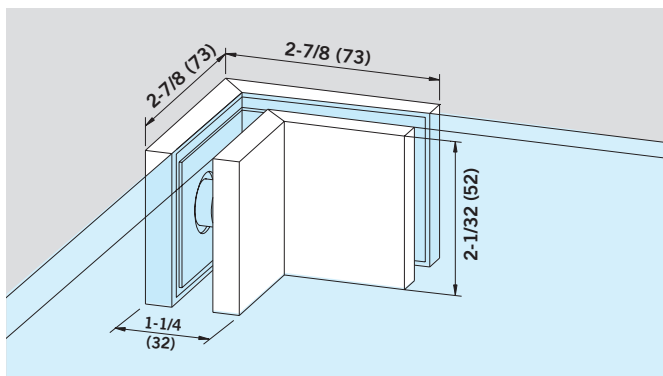
PT 81 connector
with fin fitting
- 3/8" (10) glass
Ref. No. 803.175
- 1/2" (12) glass
Ref. No. 803.175

Weight in lb (kg)	
Aluminum	1.725 (0.784)
Brass	2.372 (1.078)
Stainless steel	2.343 (1.065)



PT 80-90 connector
angled 90°
- 3/8" (10) glass
Ref. No. 803.171
- 1/2" (12) glass
Ref. No. 803.171

Weight in lb (kg)	
Aluminum	1.027 (0.467)
Brass	1.232 (0.560)
Stainless steel	1.188 (0.540)



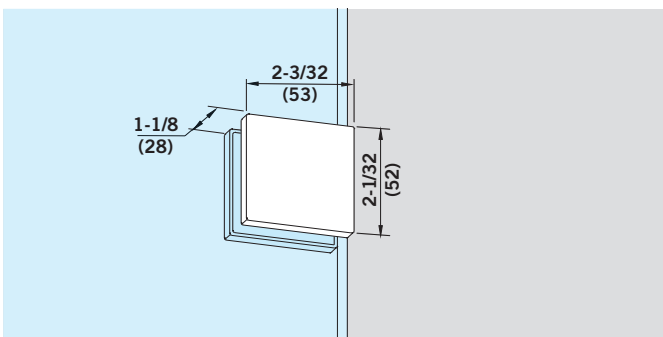
PT 80-90 short connector

shortened, angle 90°

- 3/8" (10) glass
Ref. No. 803.470
- 1/2" (12) glass
Ref. No. 803.470

Weight in lb (kg)

Aluminum	0.519 (0.236)
Brass	0.616 (0.280)
Stainless steel	0.594 (0.270)



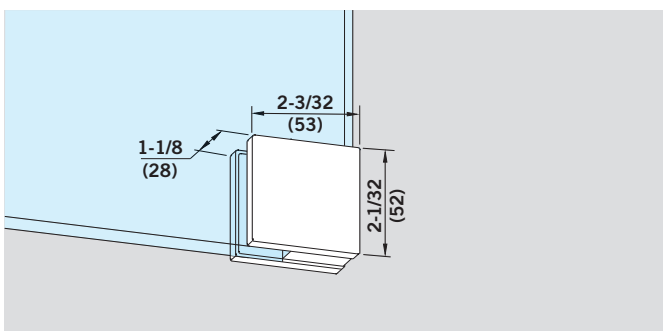
PT 90 screw on fitting

- 3/8" (10) glass
Ref. No. 807.021
- 1/2" (12) glass
Ref. No. 807.021
- 5/8" (16) glass
Ref. No. 807.210
- 3/4" (19) glass
Ref. No. 807.210

Weight in lb (kg)

Aluminum	0.264 (0.120)
Brass	0.352 (0.160)
Stainless steel	0.341 (0.155)

Specify glass thickness.



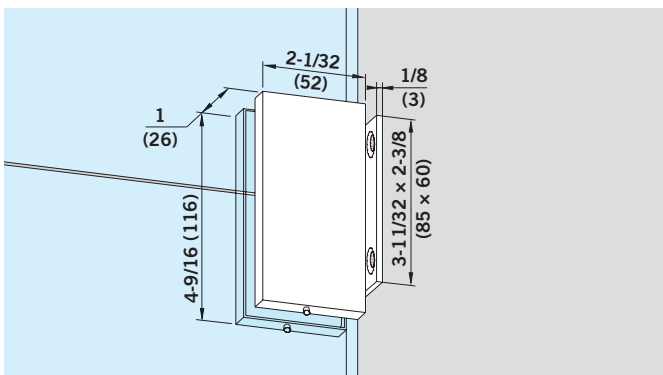
PT 91 corner fitting

- 3/8" (10) glass
Ref. No. 807.023
- 1/2" (12) glass
Ref. No. 807.023
- 5/8" (16) glass
Ref. No. 807.211
- 3/4" (19) glass
Ref. No. 807.211

Weight in lb (kg)

Aluminum	0.264 (0.120)
Brass	0.352 (0.160)
Stainless steel	0.341 (0.155)

Specify glass thickness.



Side connector

with wall mounting plate

- 3/8" (10) glass
Ref. No. 801.153
- 1/2" (12) glass
Ref. No. 801.153

Weight in lb (kg)

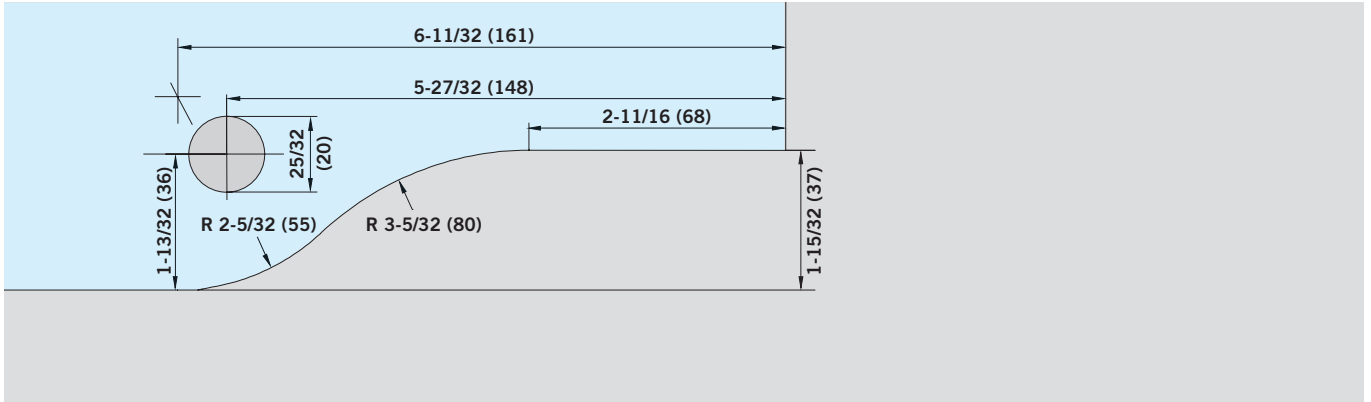
Aluminum	0.689 (0.313)
Brass	0.856 (0.389)
Stainless steel	0.827 (0.376)

GLASS PREPARATION DETAILS

PT 10, PT 20, PT 22, PT 29, PT 30

Top and bottom patches, transom patch

Scale 1 : 2

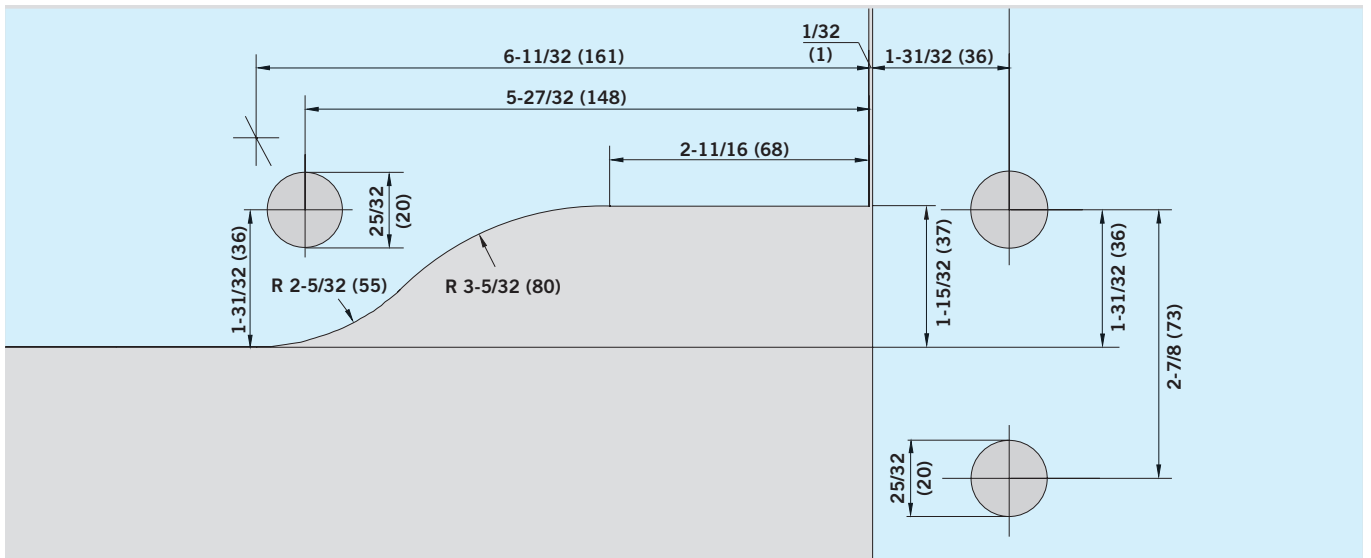


Ref. No.	833.300	833.310	833.312	803.114	833.330	833.332	833.334
	833.100	833.110	833.112	833.109	833.131	833.132	833.134
	833.301	833.311	833.313		833.321	833.333	833.335
	833.101	833.111	833.113		833.121	833.133	833.135

PT 40

Patch for transom and sidelite

Scale 1 : 2



Ref. No.	833.343	833.333	833.335
	833.143	833.133	833.135
	833.344	833.334	833.336
	833.144	833.134	833.136

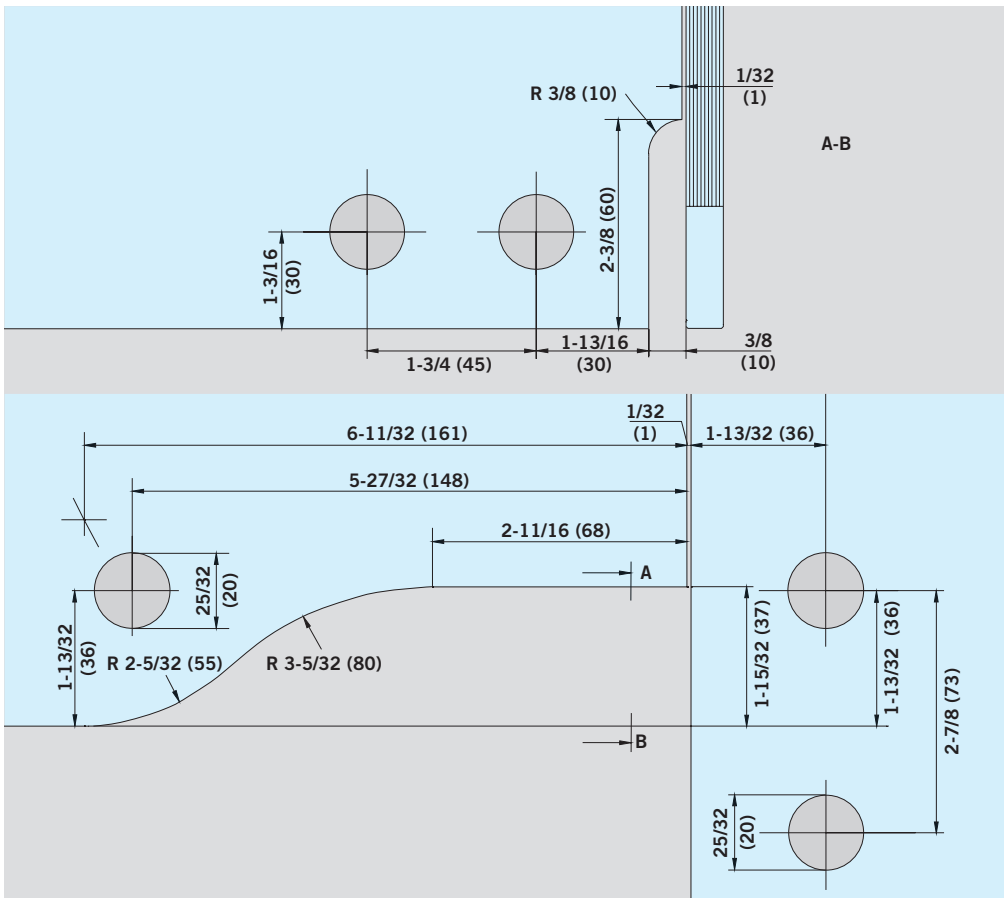
PT 41

Patch for transom and sidelite with fin fitting inside
Ref. No. see below.

Scale 1 : 2

Ref. No.

- 833.355/833.354
- 833.155/833.154
- 833.356/833.357
- 833.156/833.157
- 833.391/833.393
- 833.191/833.193
- 833.392/833.394
- 833.192/833.194
- 833.395/833.397
- 833.195/833.197
- 833.396/833.398
- 833.196/833.198



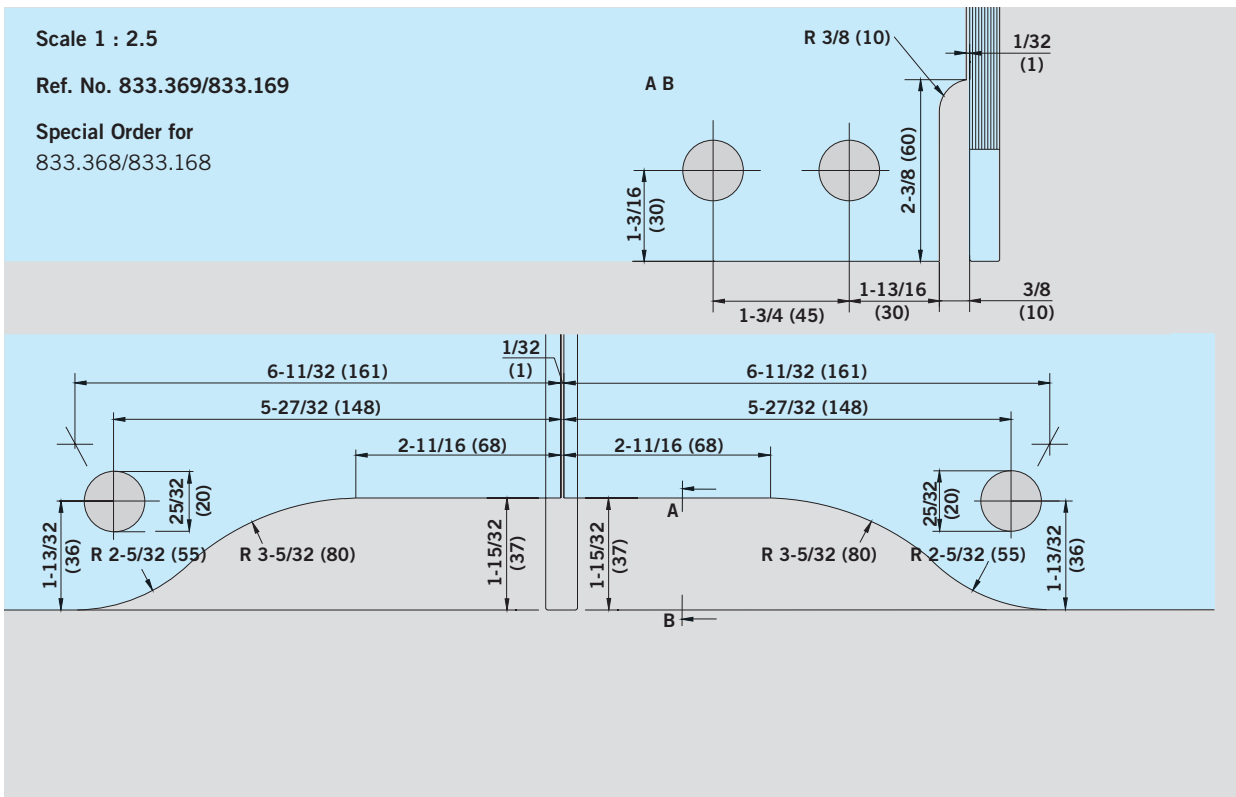
PT 51

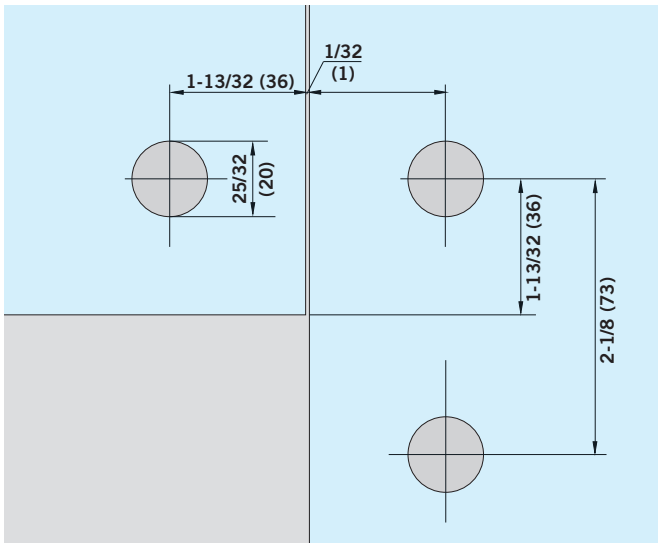
Transom fin fitting for back to back doors

Scale 1 : 2.5

Ref. No. 833.369/833.169

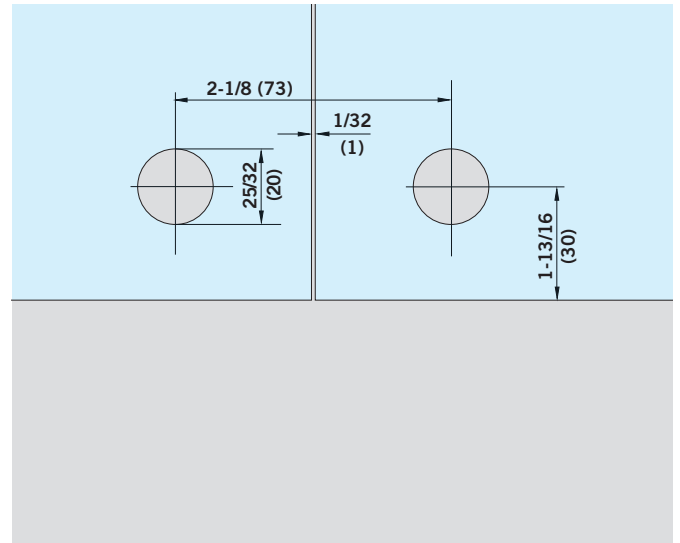
Special Order for
 833.368/833.168



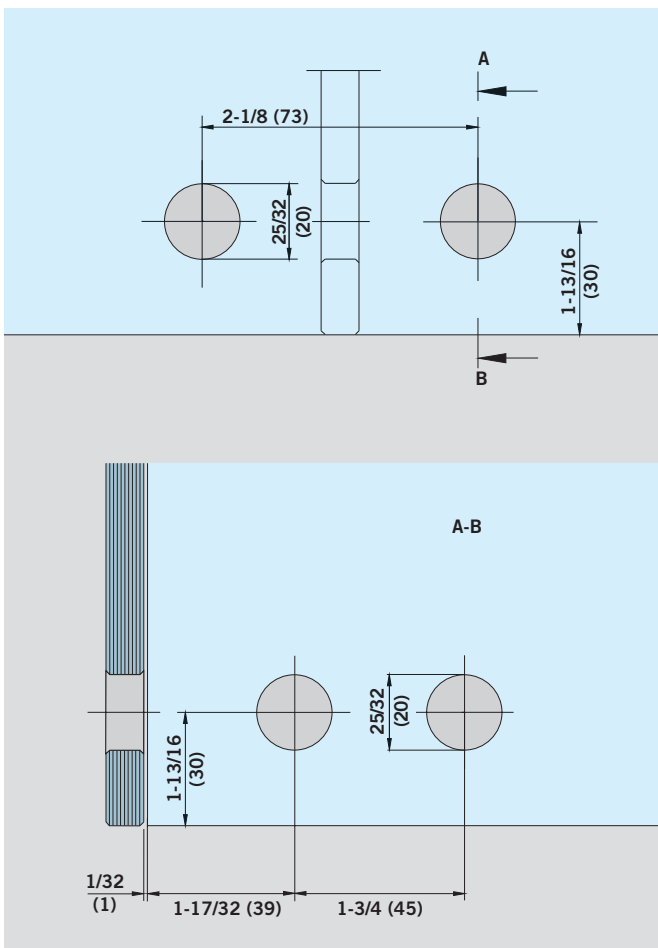


PT 60/61, PT 62
Connectors for transoms
and sidelites
Ref. No. 803.150/803.452
and connector with stop
Ref. No. 803.173

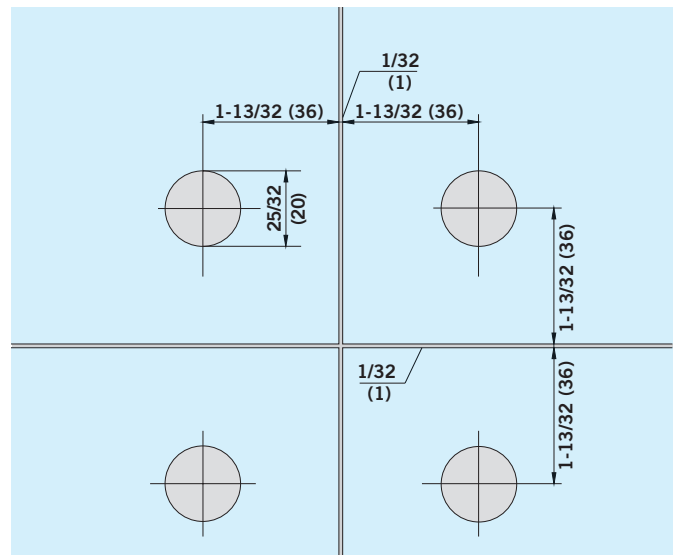
Ref. No. 803.157/803.158
Glass preparation for fin
fitting see PT 81 (page 18)
Scale 1 : 2



PT 70
Transom connector
Ref. No. 801.150/801.158
Scale 1 : 2



PT 71
Transom connector
with fin fitting
Ref. No. 801.161
Scale 1 : 2

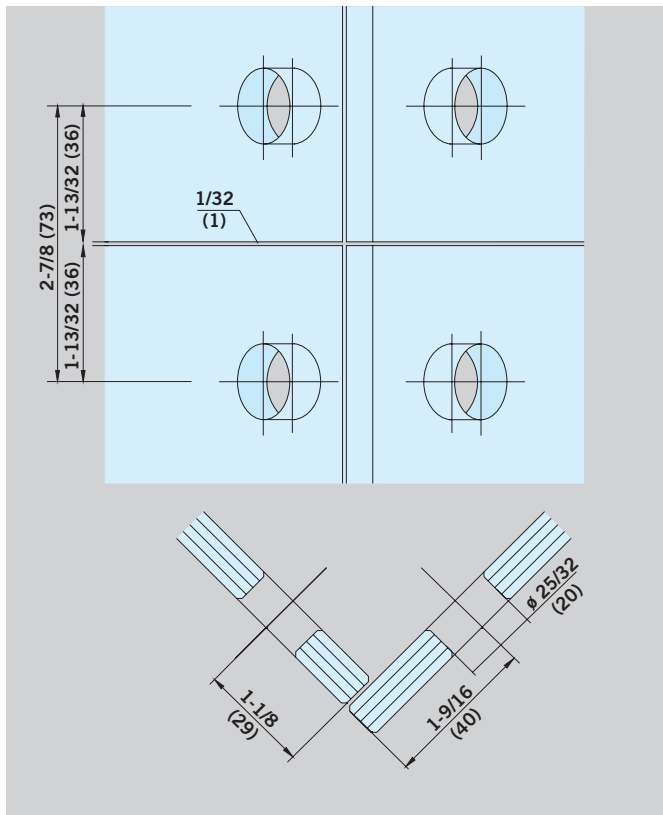
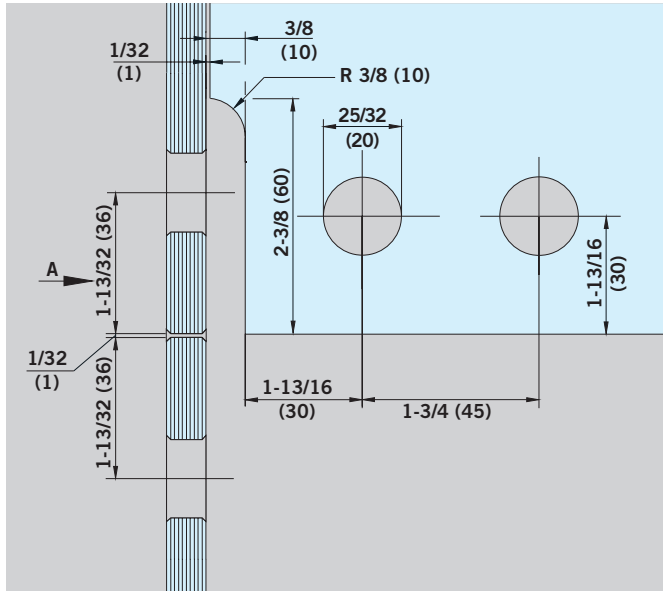


PT 80
Connector
Ref. No. 803.170/803.472
Scale 1 : 2

PT 81

Connector with fin fitting
Ref. No. 803.175

Scale 1 : 2



PT 80

Angled connector, 90°
Ref. No. 803.171

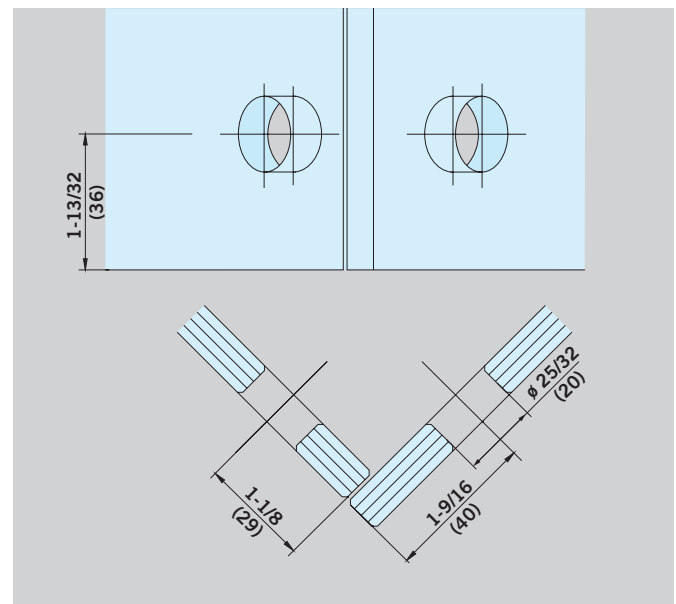
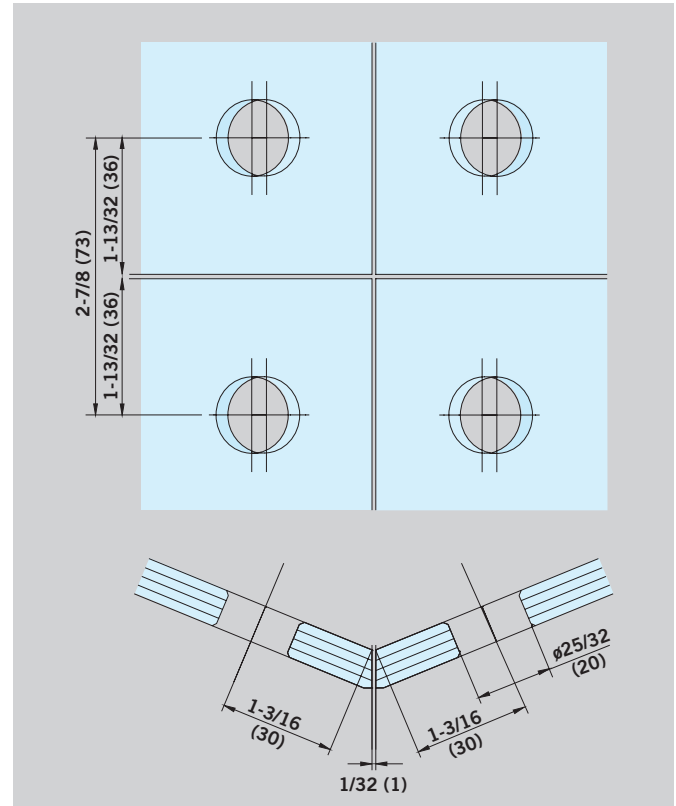
Glass preparation examples for angles between 91°–134°/136°–179° (Check for availability)

Scale 1 : 2

PT 80-135

Angled connector, 135°
Ref. No. 803.172
 (Special order only)

Glass preparation examples for angles between 91°–134°/136°–179° (Check for availability)
Scale 1 : 2



PT 80 shortened

Angled connector, 90° shortened
Ref. No. 803.470

Glass preparation examples for angles between 91°–134°/136°–179° (Check for availability)

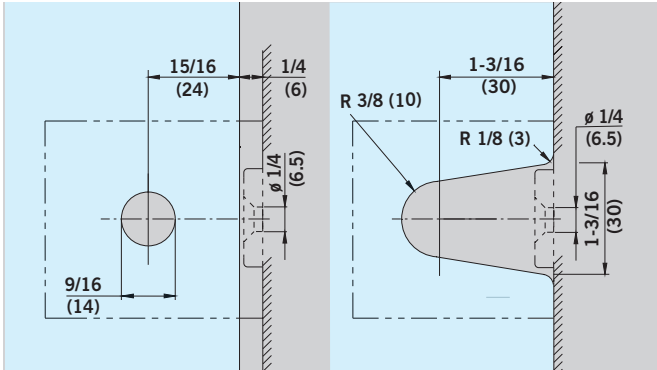
Scale 1 : 2

PT 90

Screw on fitting

Ref. No. 807.021/807.210

Scale 1 : 2

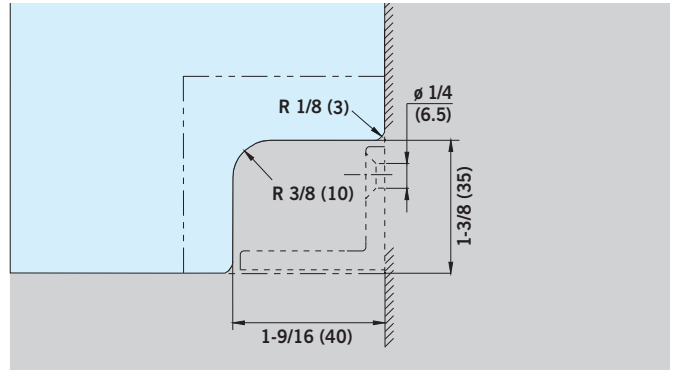


PT 91

Corner fitting

Ref. No. 807.023/807.211

Scale 1 : 2

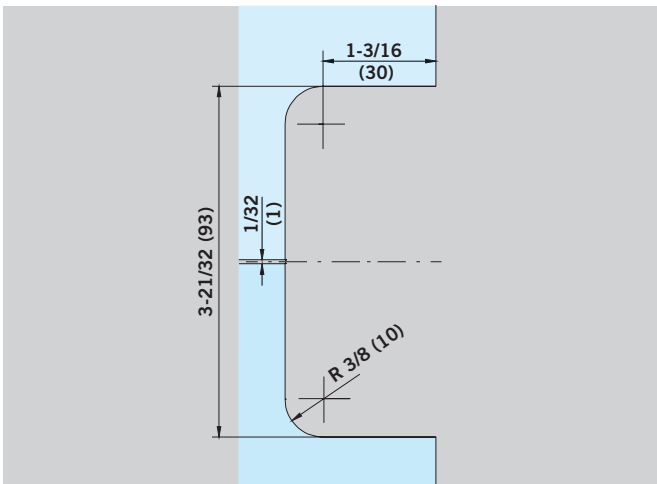


Side connector

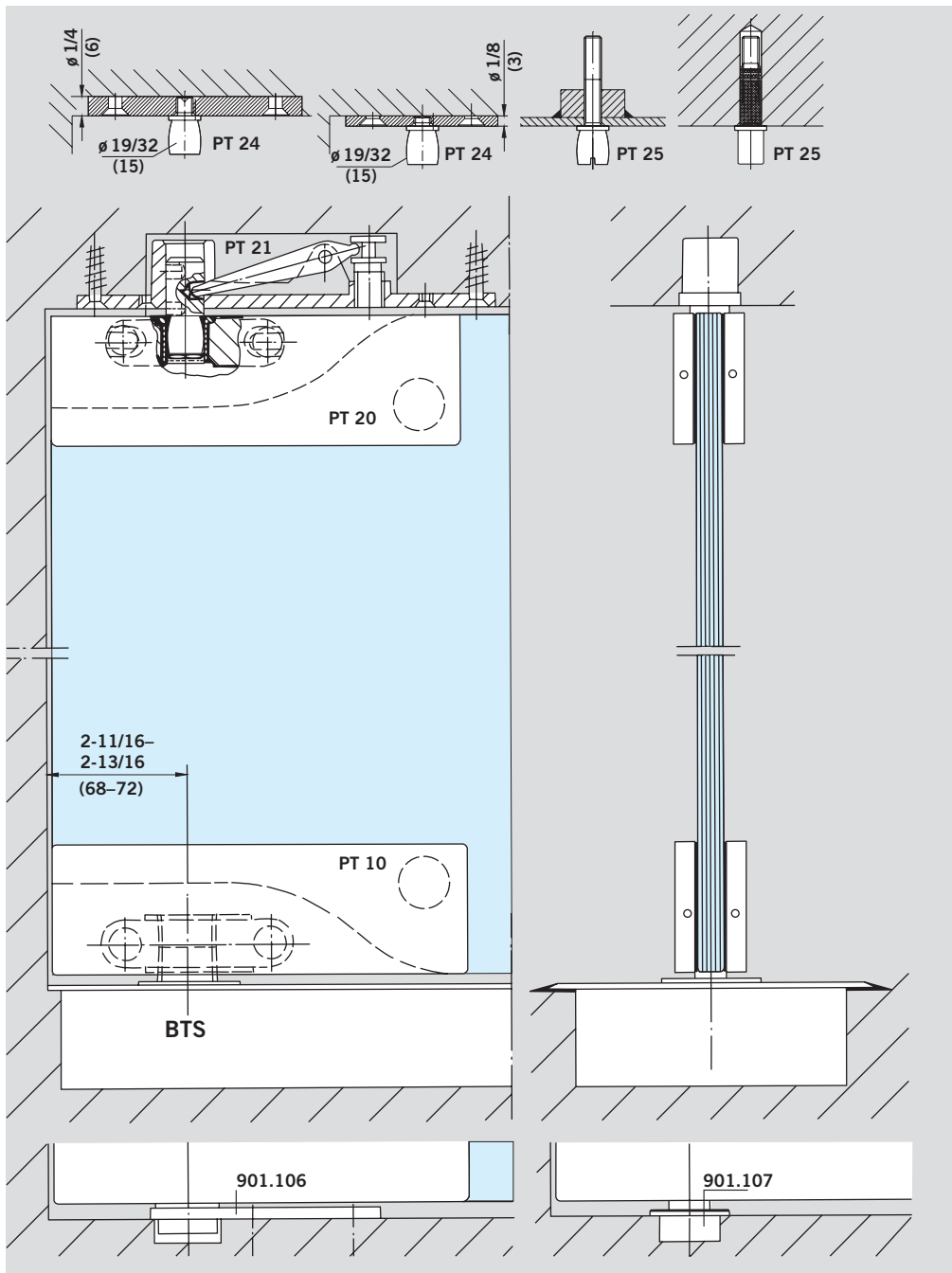
with fixing plate

Ref. No. 801.153

Scale 1 : 2



CONSTRUCTION



Mounting of pivots and top pivot pins

Mounting of top pivots and top pivot pins for PT 20

Mounting of floor closers or pivot bearings for PT 10

ARCOS UNIVERSAL

Unique design with in-built system versatility

The ARCOS Universal range offers patch fittings and connector hardware for transoms and side panels, and fin fittings for particularly large systems—with the curved arc motif of the ARCOS design incorporated into each component. Gentle reflections that change with the planes give the glass and its fittings a uniform appearance.

Easy glass preparation, secure fixing

DORMA understands the special properties of glass as a building material, designing fittings that require only minimal glass preparation—a quick and easy cut-out with additional holes. Careful consideration and positive measures have been taken to create the maximum clamping surface with optimum clamping efficiency.

Suitable for common glass thicknesses

ARCOS Universal fittings are available for 3/8" (10) and 1/2" (12) glass thicknesses.

Reliability built in

Quality materials and thorough workmanship mean that ARCOS Universal fittings have the features necessary to meet the most demanding of specifications.

The fittings are designed to withstand large and heavy doors up to a maximum weight of 220 lb (100 kg).

Rails are available for heavier doors—330 lb (150 kg) maximum, for wider doors—48" (1219) maximum, and for high traffic doors.

Clip-on technique

The innovative clip-on technique incorporated into the hardware ensures that the cover caps are secured to the basic components, so that the fixing pin is virtually invisible.

Matching range of locks

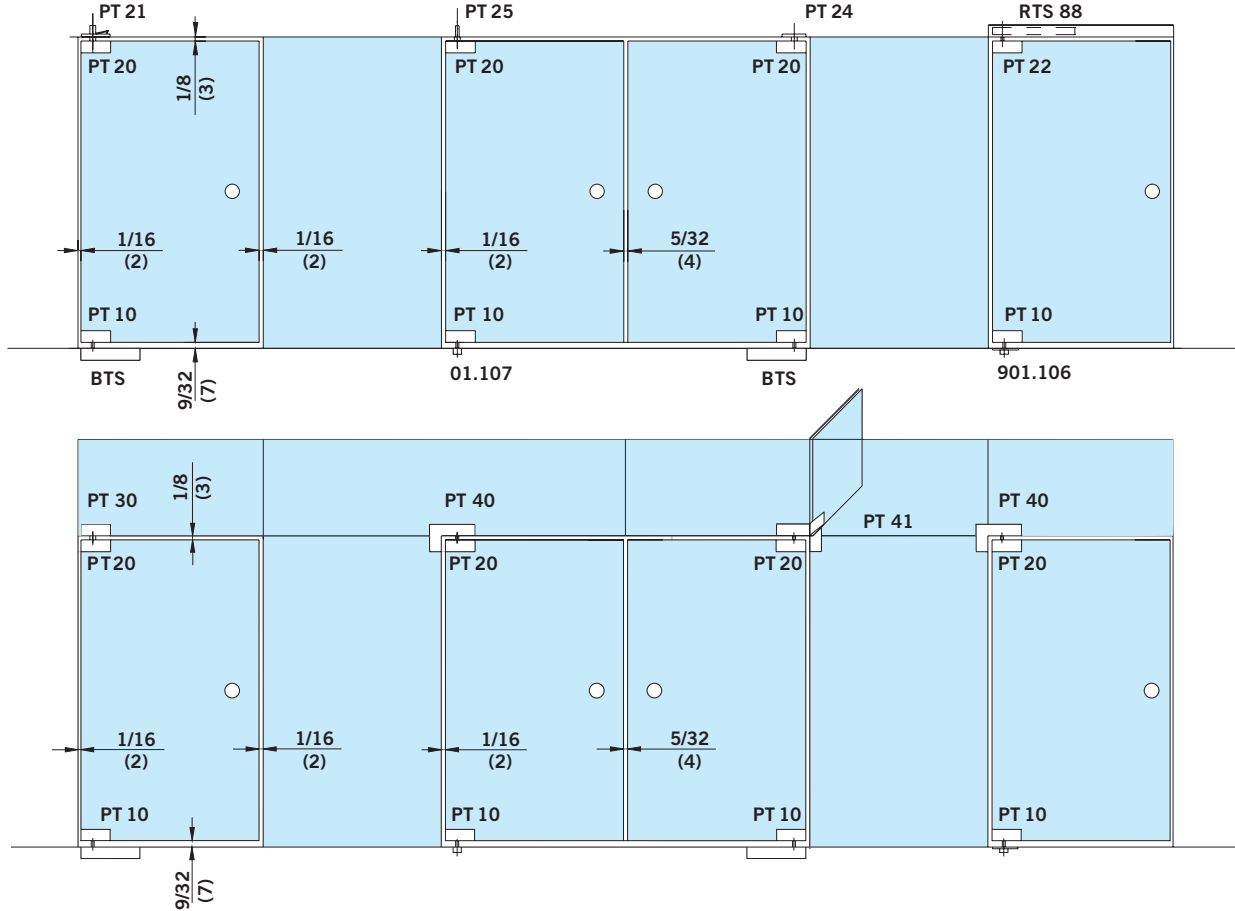
The ARCOS Universal range includes every type of accessory, and of course, a variety of locks and strike boxes in a matching design concept, giving the designer plenty of options to choose from. Contact Customer Service for more details.



TYPE SELECTION

Tempered glass assemblies with fittings 2-3/4" (70) pivot point.

For all standard assembly types, see page 5.



BTS = Floor closer
PT = Center hung door fittings
RTS = Header/Transom closer (see Technical Information DORMA RTS Series for details)

Maximum door weight & width for DORMA Universal fittings

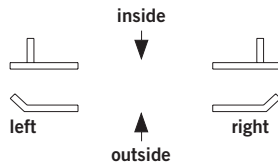
Max. door weight
 220 lb (80 kg)
Max. door width
 43" (1100)

For door weights up to 330 lb (150 kg) and widths up to 48" (1219), DRS door rails should be used.

Torque for mounting screws

- Screws M 6**
7.5 lb-ft / 10 Nm (4)*
 - Screws M 6**
11 lb-ft / 15 Nm (5)*
 - Screws M 8**
15 lb-ft / 20 Nm (5)*
- *Allan key size

NOTE:
 If angle fittings or fin fittings are used "Left" or "Right" has to be determined by view from outside and above.



ARCOS Universal is available in the following surface finishes

- Aluminum, EV1 (114)
- Satin stainless steel (700)
- Polished stainless steel (701)
- Aluminum, dark bronze anodized (108)
- Black Anodized (109)

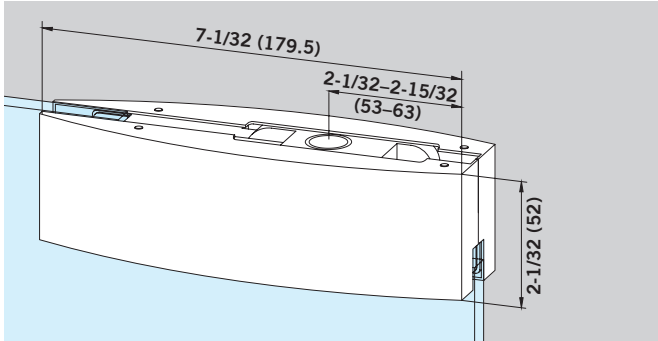
Special finishes may be available upon request.

1. Available upon request

PATCH FITTINGS

Shown with 3/8" (10) and 1/2" (12) glass.

For accessories, see page 34.



ARCOS PT 20

top patch

with plastic socket for top pivot
 \varnothing 19/32 (15), used with PT21

- 3/8" (10) glass

Ref. No. 826.110

- 1/2" (12) glass

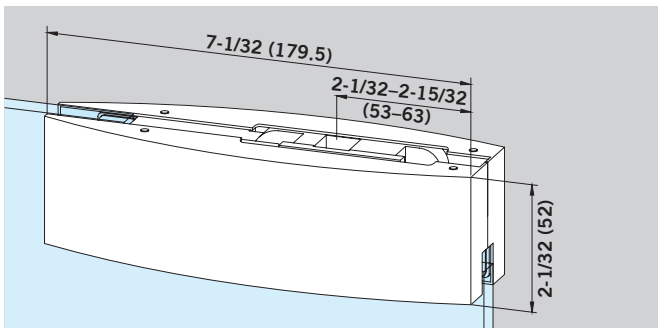
Ref. No. 833.210

Pivot location

2-5/8" (67)

Weight in lb (kg)

Aluminum	1.049 (0.477)
Stainless steel	1.265 (0.575)



ARCOS PT 22

top patch

with insert for DORMA RTS over-
 head concealed closer (see also
 Technical Information DORMA
 RTS Series)

- 3/8" (10) glass

Ref. No. 826.112

- 1/2" (12) glass

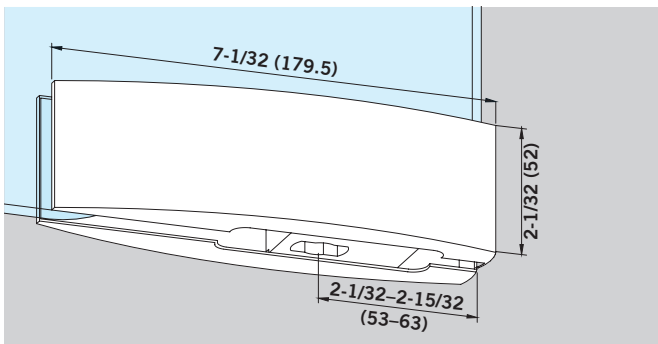
Ref. No. 833.208

Pivot location

2-5/8" (67)

Weight in lb (kg)

Aluminum	1.272 (0.578)
Stainless steel	1.489 (0.677)



ARCOS PT 10

bottom patch

with insert for DORMA floor
 closer spindle, or round pivot
 \varnothing 9/16" (14)

- 3/8" (10) glass

Ref. No. 826.100

- 1/2" (12) glass

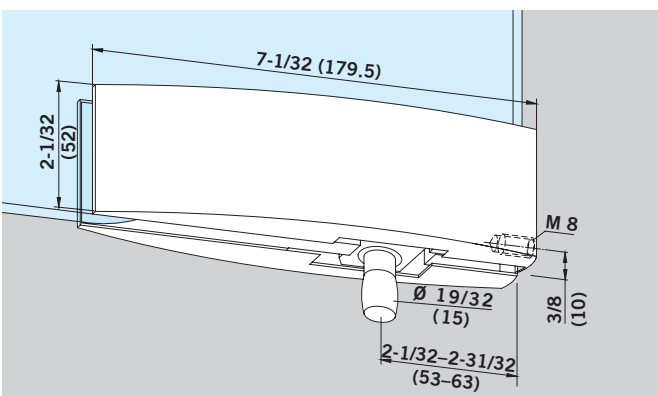
Ref. No. 833.200

Pivot location

2-5/8" (67)

Weight in lb (kg)

Aluminum	1.241 (0.564)
Stainless steel	1.456 (0.662)



ARCOS PT 30

transom patch

with pivot \varnothing 19/32 (15),
 with M 8 tapped hole at side

- 3/8" (10) glass

Ref. No. 826.120

- 1/2" (12) glass

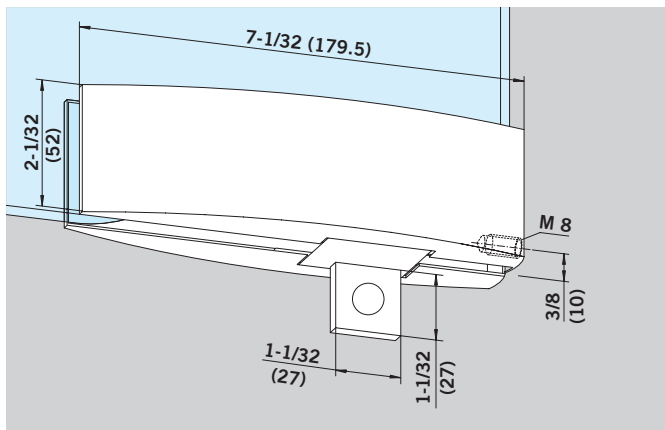
Ref. No. 833.220

Pivot location

2-5/8" (67)

Weight in lb (kg)

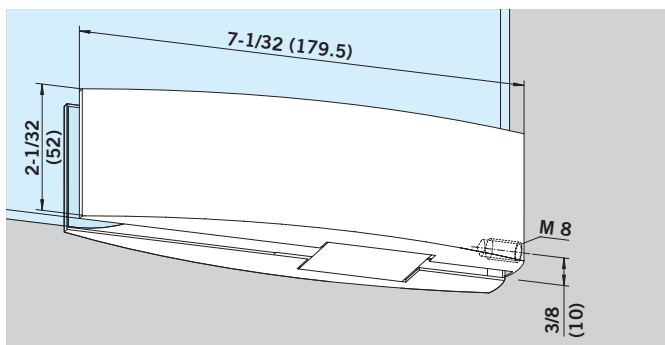
Aluminum	1.161 (0.528)
Stainless steel	1.399 (0.636)



**ARCOS PT 30
transom patch
with stop insert**

- 3/8" (10) glass
Ref. No. 826.420
- 1/2" (12) glass
Ref. No. 833.222

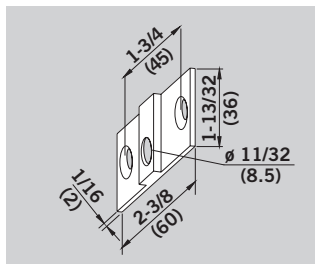
Weight in lb (kg)
 Aluminum 1.161 (0.528)
 Stainless steel 1.276 (0.580)



**ARCOS PT 30
transom patch
with blanking insert**

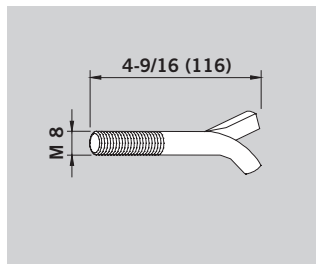
- 3/8" (10) glass
Ref. No. 826.421
- 1/2" (12) glass
Ref. No. 833.223

Weight in lb (kg)
 Aluminum 1.141 (0.519)
 Stainless steel 1.256 (0.571)



**Fixing plate
for transom patch PT 30
Ref. No. 903.128**

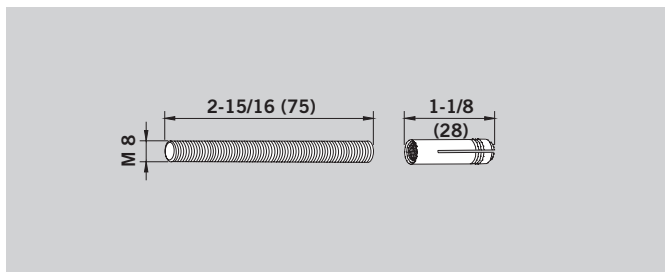
Weight in lb (kg)
 Aluminum 0.035 (0.016)
 Brass 0.083 (0.038)



**Wall anchor
with thread M 8 for transom
patch PT 30
Ref. No. 901.133**

Weight in lb (kg)
 0.088 (0.040)

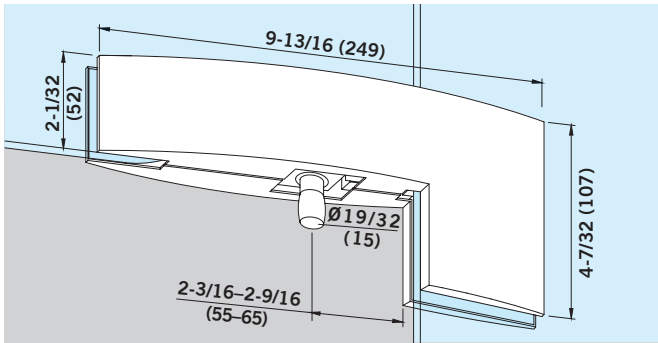
Stainless steel not available,
satin chrome on brass supplied.



**Threaded rod
M 8 with plug for transom
patch PT 30
Ref. No. 901.134**

Weight in lb (kg)
 0.070 (0.032)

CONNECTORS



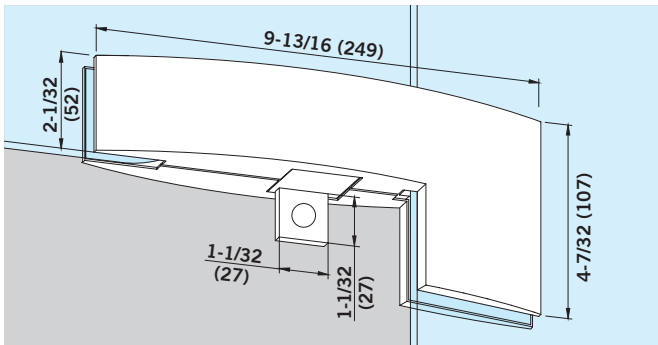
ARCOS PT 40 patch for transom and sidelite
with pivot Ø 19/32 (15)

- 3/8" (10) glass
Ref. No. 826.140
- 1/2" (12) glass
Ref. No. 833.240

Pivot location
2-5/8" (67)

Weight in lb (kg)

Aluminum	1.661 (0.755)
Stainless steel	2.061 (0.937)

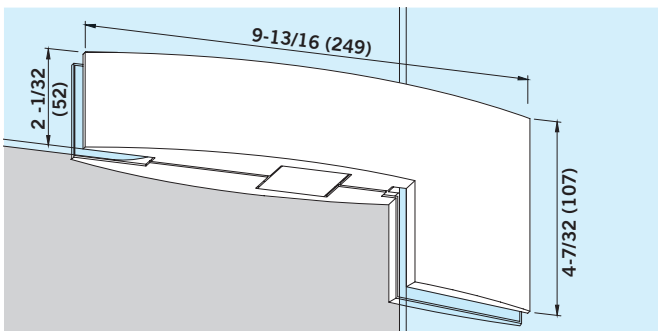


ARCOS PT 40 patch for transom and sidelite
with stop insert

- 3/8" (10) glass
Ref. No. 826.440
- 1/2" (12) glass
Ref. No. 833.241

Weight in lb (kg)

Aluminum	1.661 (0.755)
Stainless steel	2.061 (0.937)

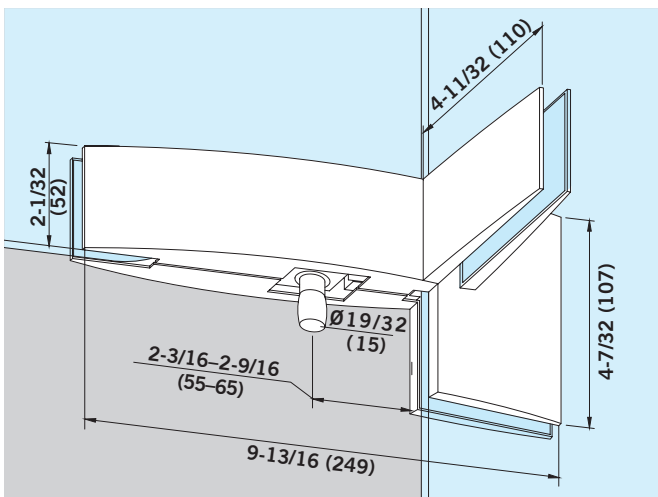


ARCOS PT 40 patch for transom and sidelite
with blanking insert

- 3/8" (10) glass
Ref. No. 826.441
- 1/2" (12) glass
Ref. No. 833.242

Weight in lb (kg)

Aluminum	1.641 (0.746)
Stainless steel	2.041 (0.928)



ARCOS PT 41 patch for transoms and sidelite
with fin fitting inside
with pivot Ø 19/32" (15)

- 3/8" (10) glass
Ref. No. *826.162/826.163
- 1/2" (12) glass
Ref. No. *833.245/833.246

With blanking insert (not illustrated)

- 3/8" (10) glass
Ref. No. *826.264/826.265
- 1/2" (12) glass
Ref. No. *833.250/833.251

Pivot location
2-5/8" (67)

- With stop insert (not illustrated)**
- 3/8" (10) glass
Ref. No. *826.262/826.263
 - 1/2" (12) glass
Ref. No. *833.248/833.249

Weight in lb (kg)

Aluminum	2.094 (0.952)
Stainless steel	2.633 (1.197)

* Left hand fin (illustration shows left hand) / Right hand fin. Left or right hand is determined by view from outside.

GLASS PREPARATION DETAILS

ARCOS PT 10, PT 20, PT 22, PT 30

Top and bottom patches, transom patch

Scale 1 : 2

Ref. No.

826.100	826.120	833.200	833.220
826.110	826.420	833.210	833.222
826.112	826.421	833.208	833.223

ARCOS PT 40

Patch for transom and sidelite

Scale 1 : 2

Ref. No.

826.140	833.240
826.440	833.241
826.441	833.242

ARCOS PT 41

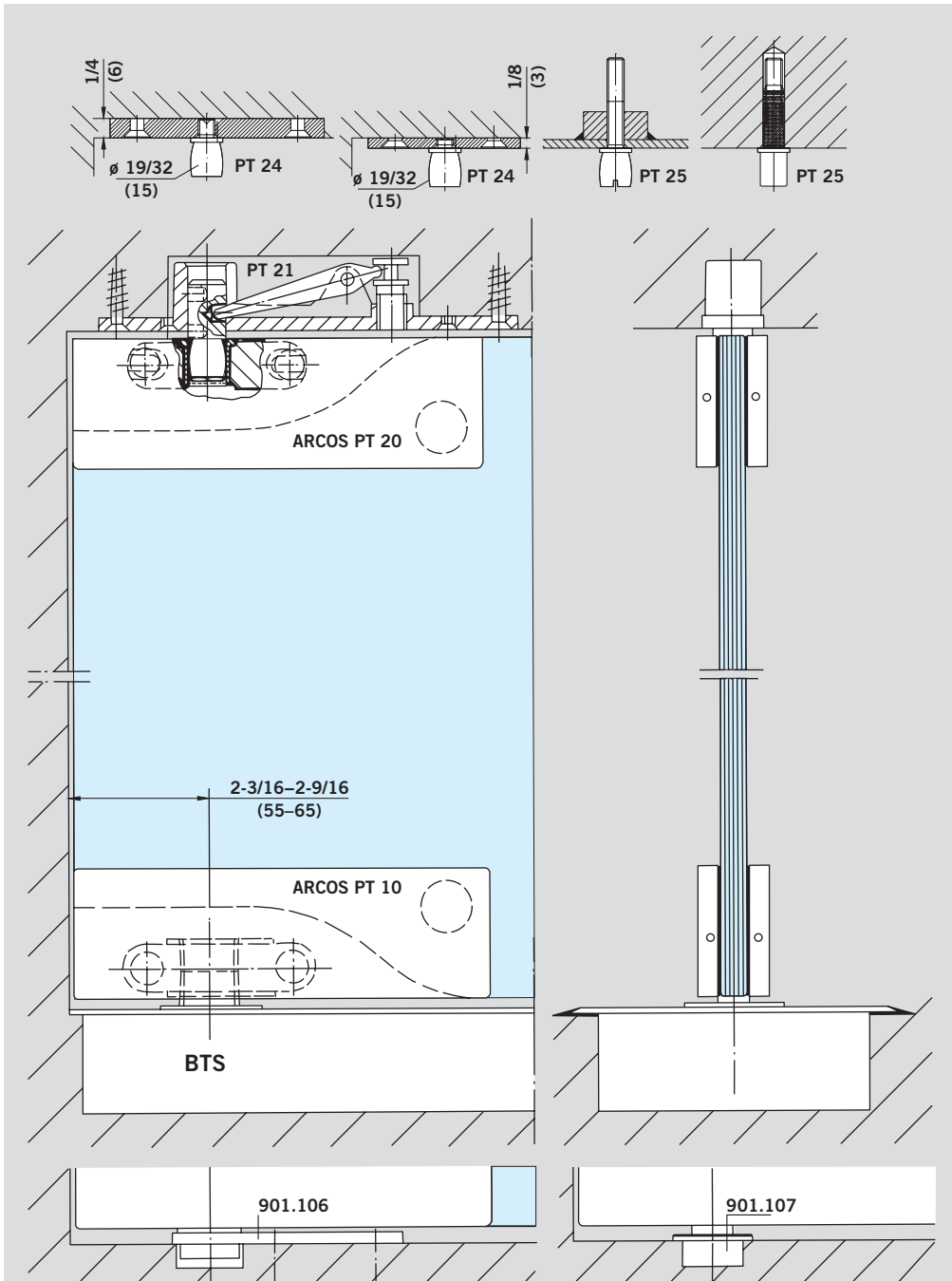
Patch for transom and sidelite with fin fitting inside

Scale 1 : 2

Ref. No.

826.162	826.263	833.245	833.249
826.163	826.264	833.246	833.250
826.262	826.265	833.248	833.251

CONSTRUCTION



Mounting of pivots and top pivot pins

Mounting of top pivots and top pivot pins for ARCOS 20

Mounting of floor closers, floor bearings for ARCOS 10

DORMA EA

The expansive range with slimline bodies for offset hung doors

DORMA EA patch fittings are characterized by their slim, neat shape and skillful European hinge design. This comprehensive range of fittings allows the transparent elegance of single-action doors to reach their full potential—whether hung in frames or integrated into tempered glass openings.

Easy glass preparation, secure mounting

DORMA understands the special properties of glass as a building material, designing fittings that require only minimal glass preparation—a quick and easy cut-out with additional holes. Careful consideration and positive measures have been taken to create the maximum clamping surface with optimum clamping efficiency.

Suitable for common glass thicknesses

DORMA EA patch fittings are available for 3/8" (10) and 1/2" (12) glass thicknesses.

Reliability built in

Quality materials and thorough workmanship mean that DORMA EA patch fittings have the features necessary to meet the most demanding of specifications.

Matching range of locks

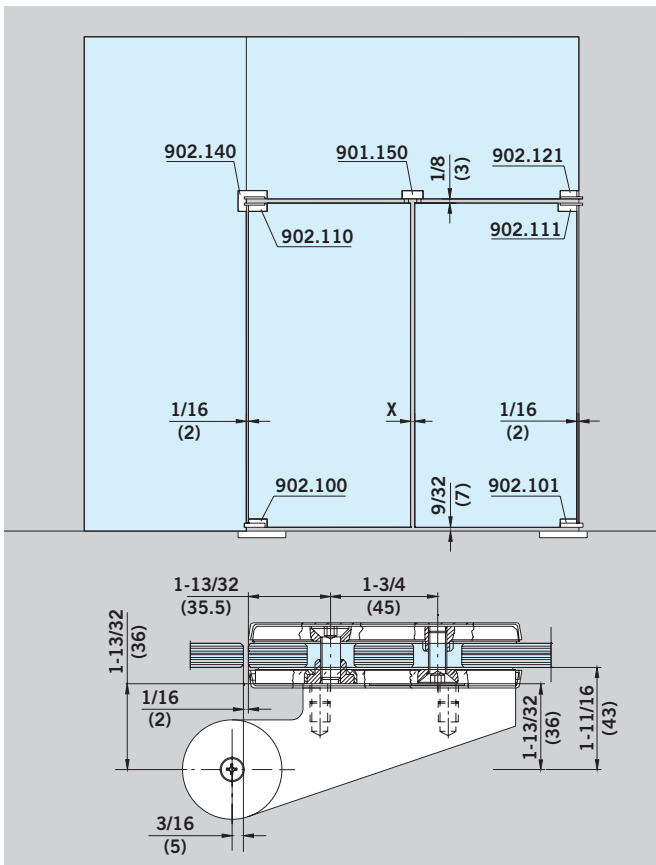
The DORMA EA range includes every type of accessory, and of course, a variety of locks and strike boxes in a matching design concept, giving the designer plenty of options to choose from. Contact Customer Service for more details.



DORMA EA corner patches are available in the following finishes

- Aluminum, silver anodized EV1, (101)
- Similar to satin stainless steel (107)
- Aluminum, dark bronze anodized DB (108)
- Black anodized (109)
- Polished chrome plated (501)
- Brass, polished (503)
- Brass, satin chrome plated (500)





**Offset hung doors
in tempered glass assemblies**

Max. door weight

220 lb (100 kg)

Max. door width

43" (1100)

For door weights up to 220 lb (100 kg) and widths up to 47" (1200), DRS door rails should be used.

DORMA EA patch fittings for offset hung doors in tempered glass assemblies have a 1-13/32" (36) offset = 1-11/16" (43) from pivot point to glass surface.

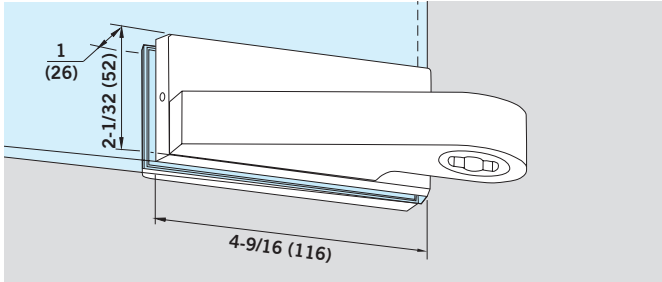
Torque for fixing screws

Screws M 8

15 lb-ft / 20 Nm

PATCH FITTINGS

1-13/32" (36) offset = 1-11/16" (43) from pivot point to glass surface, complete, for 3/8" (10) and 1/2" (12) glass thickness.



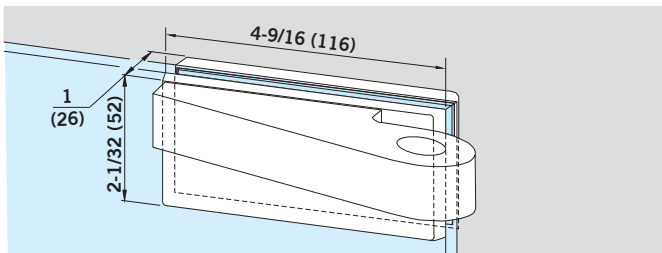
Bottom patch

to suit DORMA floor closer spindle, or round pivot
Ø 9/16" (14)

Ref. No. *902.100/902.101
(LHR)(RHR)

Weight in lb (kg)

Aluminum 1.606 (0.730)
Stainless steel 2.807 (1.276)

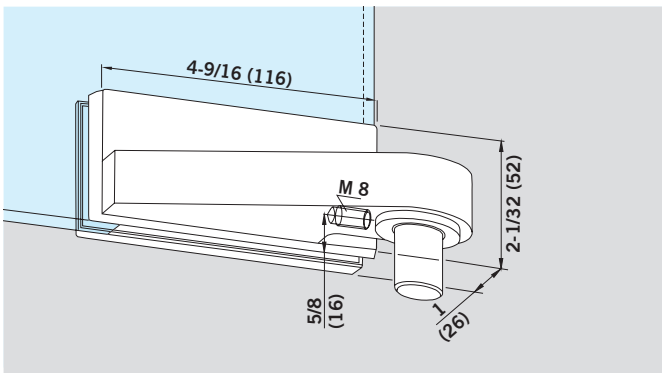


Top patch

Ref. No. *902.110/902.111
(LHR)(RHR)

Weight in lb (kg)

Aluminum 1.452 (0.660)
Stainless steel 2.734 (1.243)



Transom patch

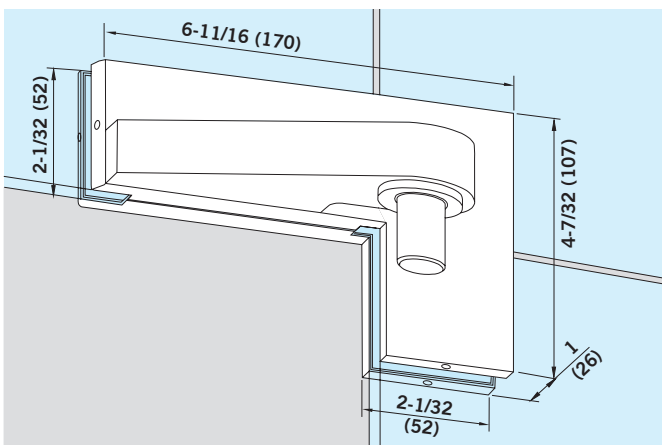
bushing outside
Ø 25/32" (20),
pivot Ø 19/32" (15)

Ref. No. *902.120/902.121
(LHR)(RHR)

Weight in lb (kg)

Aluminum 1.401 (0.637)
Stainless steel 2.624 (1.193)

See page xx for wall connector plate **Ref. No. 801.127**



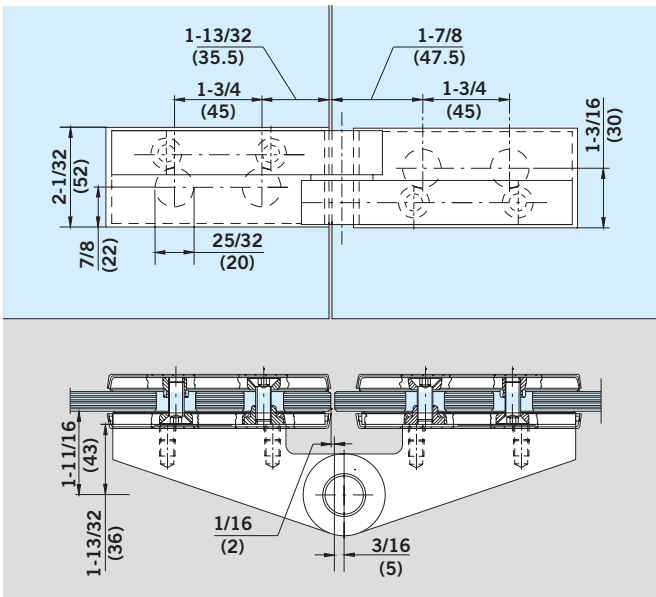
Patch for transom and sidelite

bushing outside
Ø 25/32" (20),
pivot Ø 19/32" (15)

Ref. No. *902.140/902.141
(LHR)(RHR)

Weight in lb (kg)

Aluminum 1.830 (0.832)
Stainless steel 3.099 (1.409)



Top patch

complete with pivot for sidelite

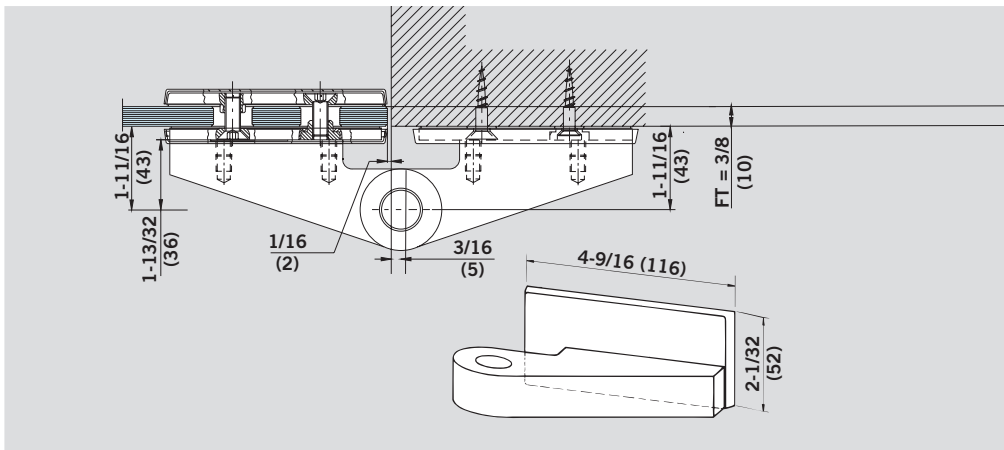
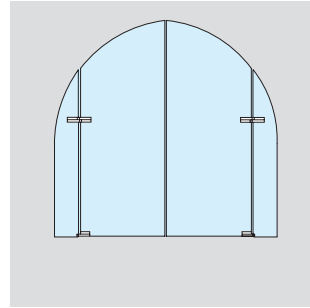
Ref. No. *902.200/902.201

(LHR)(RHR)

Weight in lb (kg)

Aluminum 3.113 (1.415)

Stainless steel 5.678 (2.581)



Top patch

complete with pivot
for wall mounting

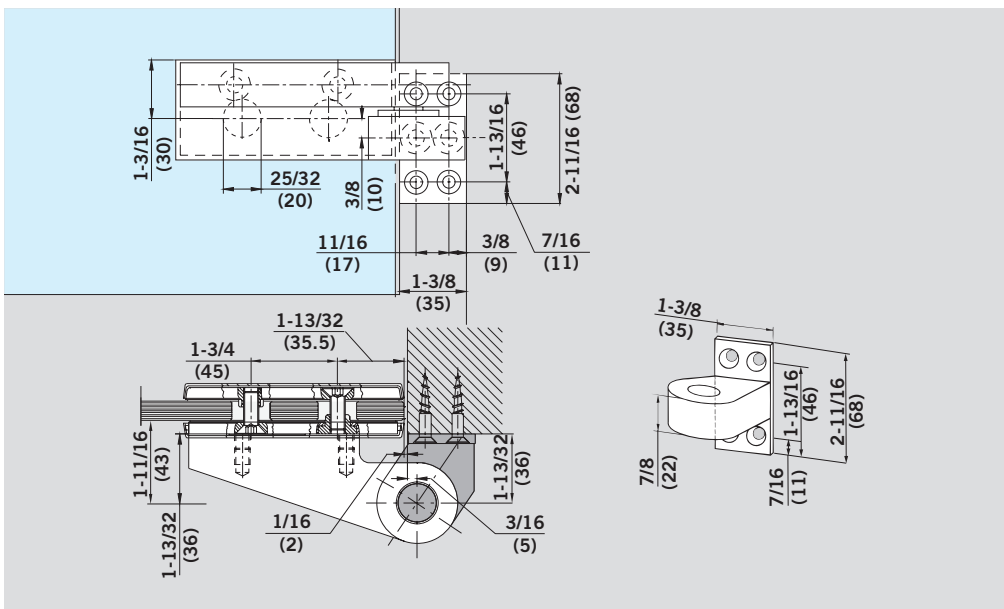
Ref. No. *902.202/902.203

(LHR)(RHR)

Weight in lb (kg)

Aluminum 2.809 (1.277)

Stainless steel 5.561 (2.528)



Top patch

complete with pivot
for frame mounting

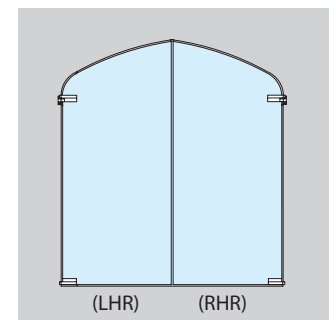
Ref. No. *902.204/902.205

(LHR)(RHR)

Weight in lb (kg)

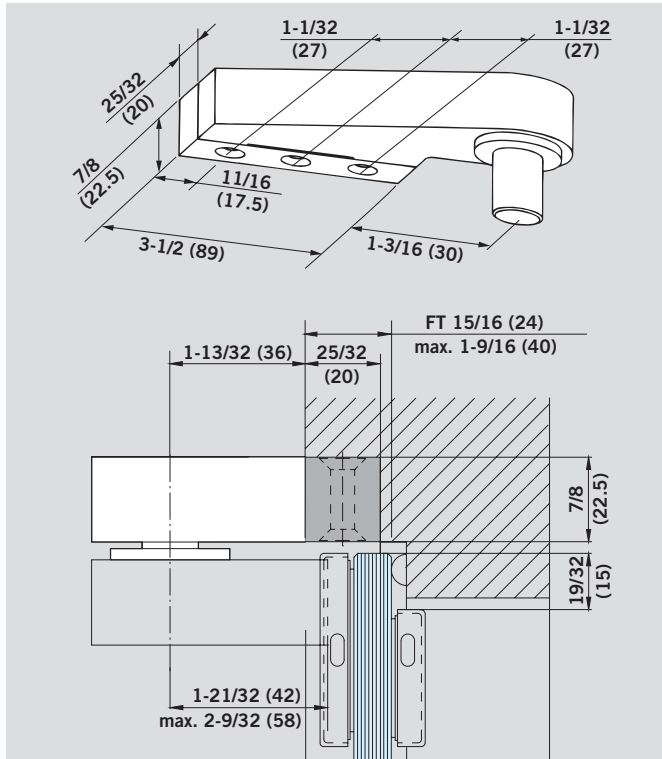
Aluminum 1.969 (0.895)

Stainless steel 3.850 (1.750)



* Left/right hand reverse is determined
by view from hanging pull side.

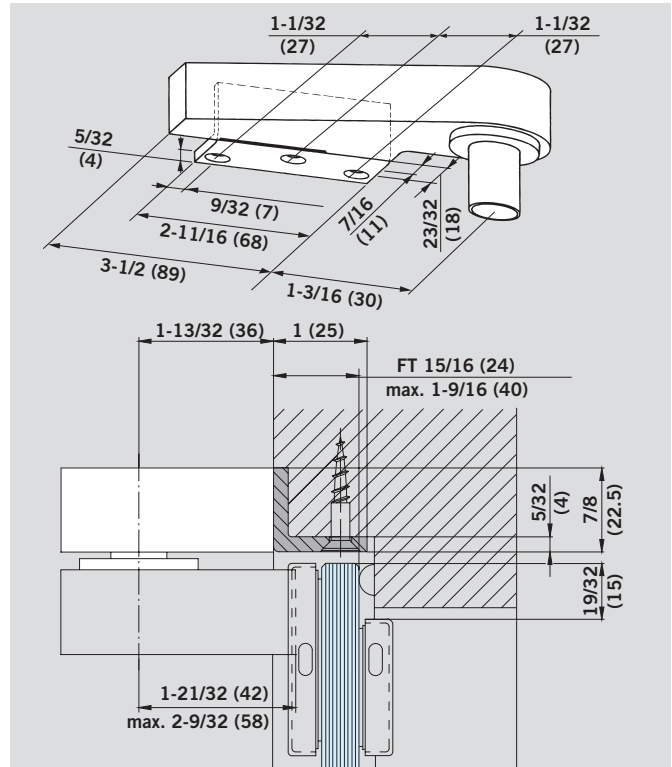
TOP CENTERS FOR WOOD & STEEL FRAMES



Frame top center
with fixing block
Ref. No. 902.150

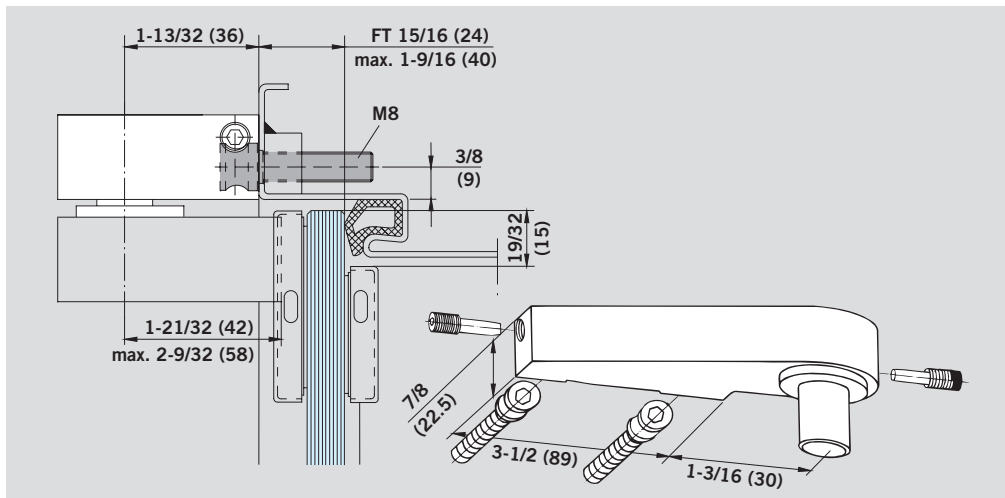
Weight in lb (kg)
Aluminum 1.036 (0.471)
Stainless steel 2.149 (0.977)

(If corner fittings/door rails are combined with frame top centers described below, please indicate **rebate depth** with order.)



Frame top center
with angle bracket
Ref. No. 902.151

Weight in lb (kg)
Aluminum 0.996 (0.453)
Brass 2.109 (0.959)

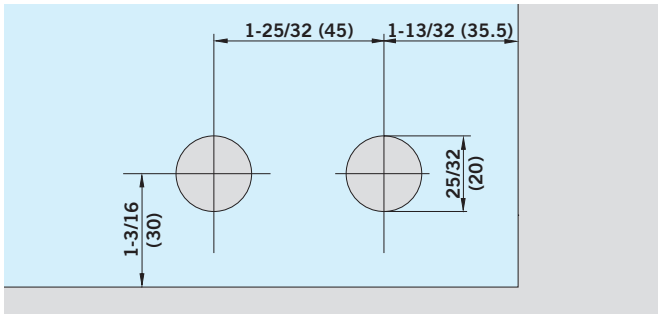


Frame top center
only for steel frames, with
special wedge screw mounting
Ref. No. *902.152/902.153
(LHR)(RHR)

Weight in lb (kg)
Aluminum 0.858 (0.390)
Brass 4.171 (1.896)

* Left/right hand (illustration below shows right hand reverse) are determined by view from hanging pull side.

GLASS PREPARATION DETAILS

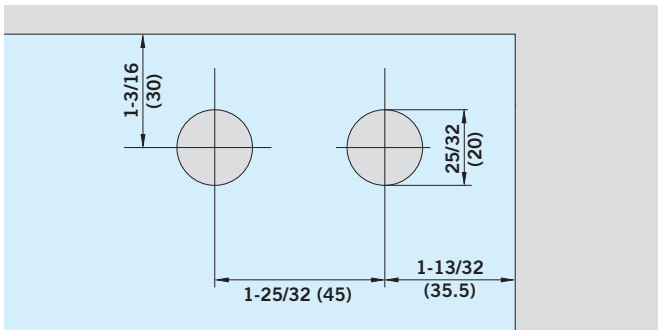


Bottom patches

Ref. No:
left hand
902.100

right hand
902.101

Scale 1 : 2

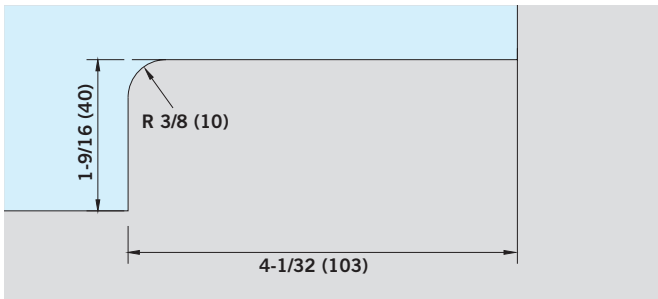


Top patches

Ref. No:
left hand
902.110

right hand
902.111

Scale 1 : 2

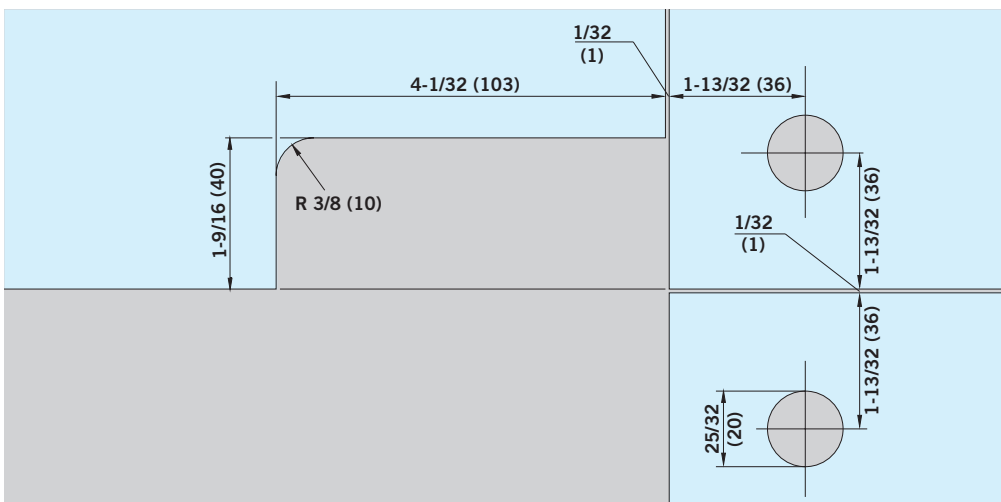


Overhead patches

Ref. No:
left hand
902.120

right hand
902.121

Scale 1 : 2



Patches for transom and sidelite

Ref. No:
left hand
902.140

right hand
902.141

Scale 1 : 2

ACCESSORIES

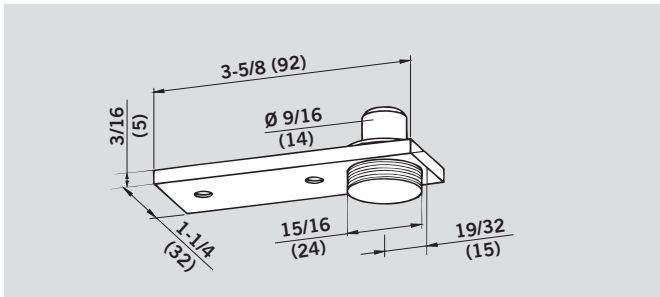
Accessories for patch fittings ... perfection in detail



DORMA offers a wide range of original patch fitting accessories to optimize the technical excellence and cost effectiveness of tempered glass systems of all types. As well as functional components, such as special

floor pivots, DORMA offers security-relevant options that enhance the exceptional functional efficiency, reliability, and long service life expected of DORMA glass systems and solutions.

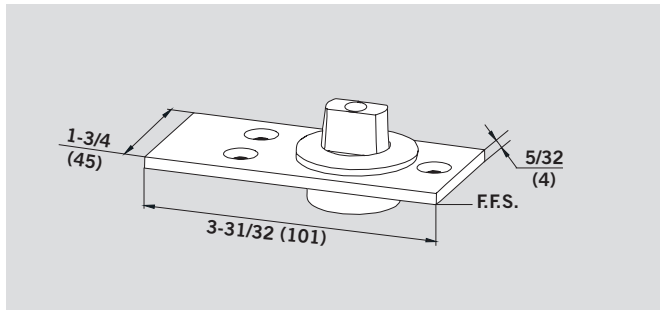
Floor bearings & floor socket



Floor pivot bearing (355.6)
with round pivot $\varnothing 9/16"$ (14), and cover plate; height adjustable by $3/16"$ (5)

Weight in lb (kg)	
Aluminum	0.341 (0.155)
Brass	0.374 (0.170)
Stainless steel	0.372 (0.169)

max. door weight
220 lb (100 kg)
Ref. No. 901.106



Floor bearing (355.5)
with DORMA profile spindle (longer spindle on request)

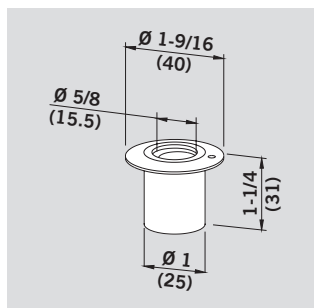
Stainless Steel
max. door weight
440 lb (200 kg)
Ref. No. 904.603

max. door weight
440 lb (200 kg)
Ref. No. 904.602

Weight in lb (kg)
0.559 (0.254)

Weight in lb (kg)
0.563 (0.256)

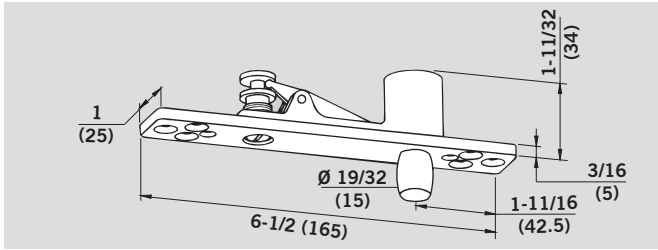
F.F.S.= Finished Floor Surface



Floor socket
eccentric, zinc coated brass, with adjustable plastic socket insert
Ref. No. 805.194

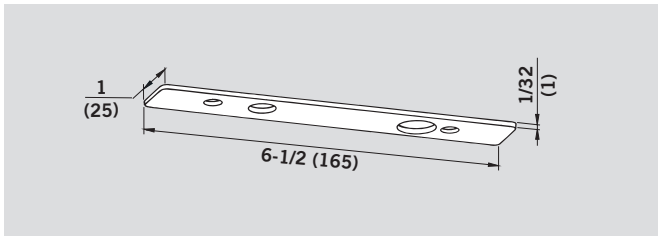
Weight in lb (kg)
0.044 (0.020)

Pivots

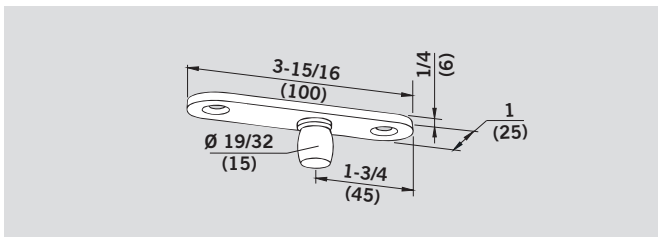


PT 21 frame hung portion
top center hung with
removable pin Ø 19/32" (15)
Ref. No. 901.117

Weight in lb (kg)
0.737 (0.335)

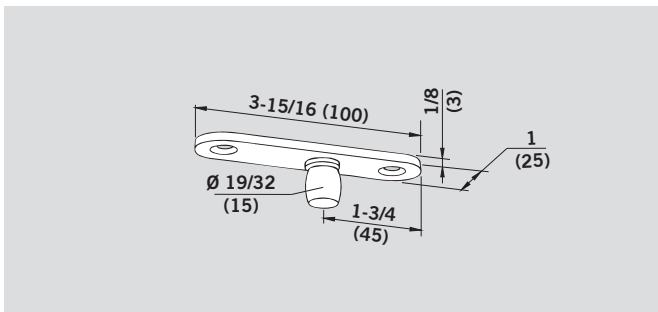


PT 21 cover plate
Ø 19/32 (15)
Ref. No. 227.004



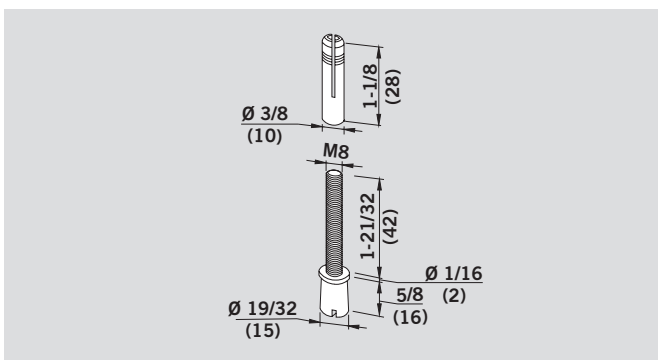
PT 24 pivot (325. 6-6)
Ø 19/32 (15) with mounting plate,
material thickness 6 mm
countersink base plate in ceiling
Ref. No. 901.116

Weight in lb (kg)
Aluminum 0.128 (0.058)



PT 24 pivot (325.6-3)
Ø 19/32 (15), with mounting
plate, material thickness 3 mm,
to screw on the ceiling
Ref. No. 901.923

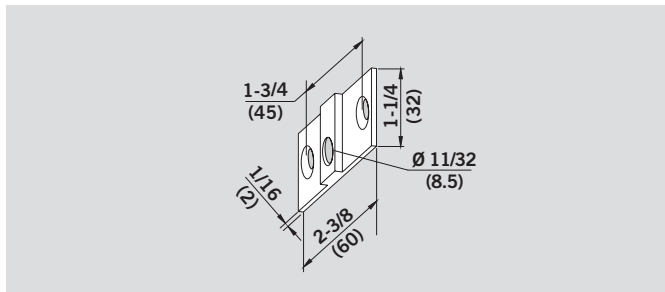
Weight in lb (kg)
Aluminum 0.092 (0.042)
Brass 0.171 (0.078)
Stainless steel 0.163 (0.074)



PT 25 pivot (325.3)
Ø 19/32 (15), with plug
Ref. No. 901.115

Weight in lb (kg)
0.097 (0.044)

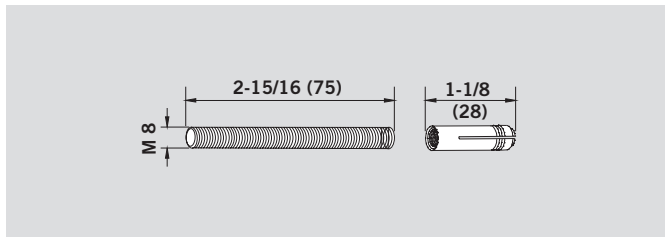
Fixing Plate, Threaded Rod & Cylinder



Mounting plate
for transom patch PT 30
Ref. No.903.128

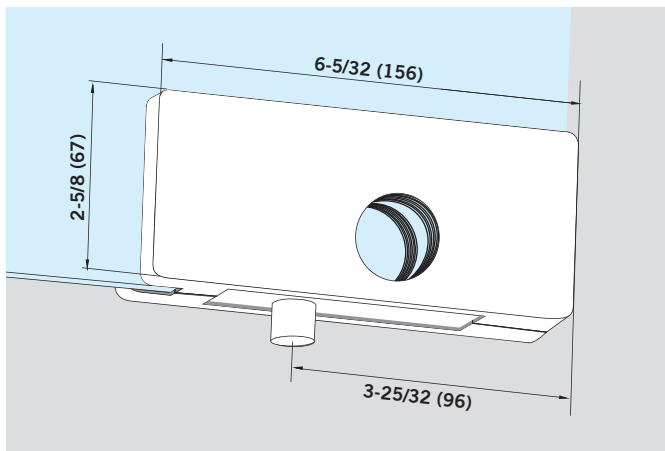
Weight in lb (kg)
Aluminum 0.035 (0.016)
Brass 0.083 (0.038)

Stainless steel not available,
satin chrome on brass supplied.



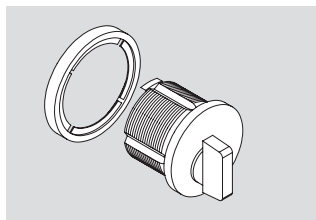
Threaded rod
M 8 with plug for transom patch
Ref. No. 901.134

Weight in lb (kg)
0.070 (0.032)

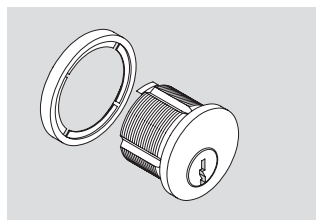


Patch Lock – AR20

- 3/8" (10) glass
Ref. No. 801.124
- 1/2" (12) glass
Ref. No. 801.122
- 5/8" (16) glass
Ref. No. 801.126
- 3/4" (19) glass
Ref. No. 801.125

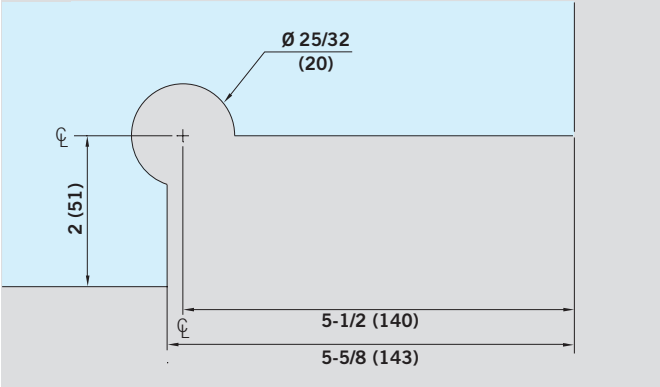


**Thumbturn with
blocking ring**
Ref. No. 225.996

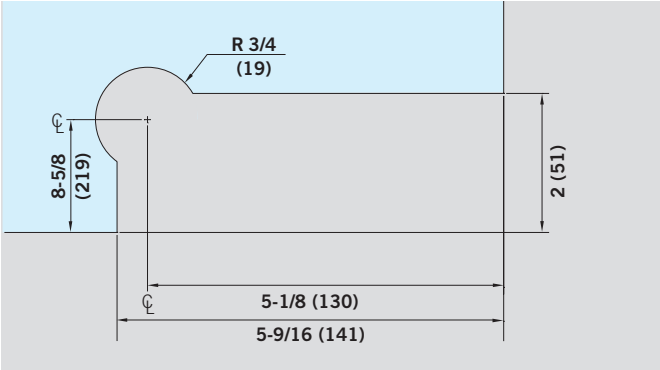


**Key Cylinder with
blocking ring**
Ref. No. 225.997

Glass Preparation—Patch Lock

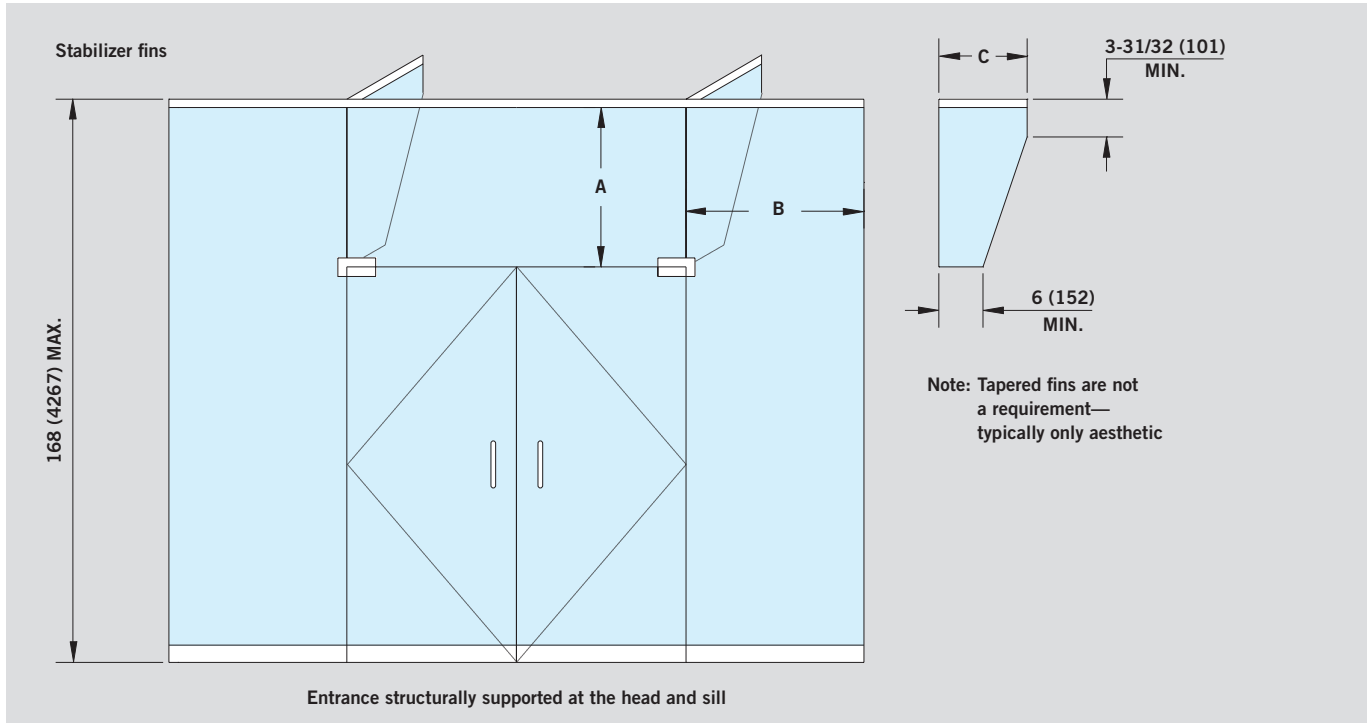


- 3/8" (10) glass
Ref. No. 801.124
- 1/2" (12) glass
Ref. No. 801.122



- 5/8" (16) glass
Ref. No. 801.126
- 3/4" (19) glass
Ref. No. 801.125

Fin Usage & Assembly



Risk of excessive deflection increases as the distance from the door's upper pivot to structure increases. To reduce deflection, glass fins mounted perpendicular to the glass wall should be employed. Refer to the graph below for fin usage recommendations.

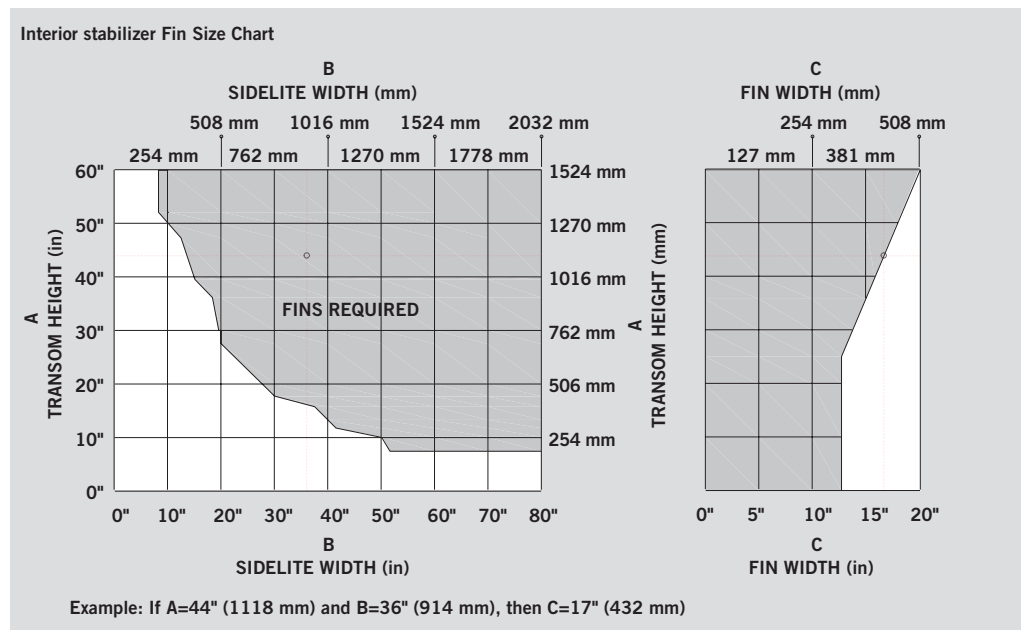
NOTE: When fins are used, they must be mechanically fastened to adequate support. If transom weight exceeds 100 lbs (45 kg), it should also be mechanically fastened to structure above to provide additional support. This graph constitutes general recommendations only. Individual situations and site conditions may require additional support to adequately reduce deflection. Exterior applications up to 13' (4 m) should have job-specific calculations processed.

Exterior applications over 13' (4 m) require a set of full engineering specifications.

To use the graph, determine the height of the transom (dimension A) as well as the width of the sidelite (dimension B as shown in the elevation—or a total width to nearest support point in the

case of multiple sidelites).

Locate the intersecting point of these two grids on the graph. If this intersecting point falls within the shaded area of the graph, fins are required. Next, determine fin top width (dimension C) on the fin width scale by matching transom height (dimension A).



Mechanical channel

Consists of base section with bore holes every 11-13/16" (300), including clamping parts with screws and gasket strips.

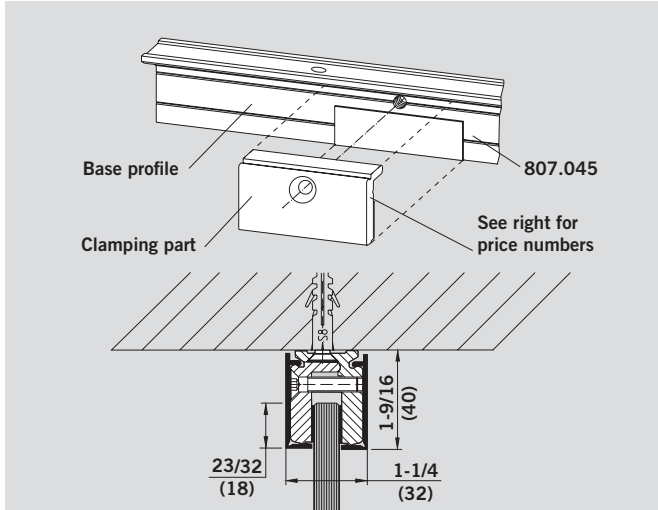
Application

All around frame system for tempered glass assemblies, with fittings on sides and ceiling.

The **safety type** prevents free hanging glass panels from falling down by mounting the clamping fitting through glass holes.

33 lb (15 kg) load for each clamping part, torque for fixing screws 7.5 lb-ft / 10 Nm (M 6 = hex key size 4).

Standard type



Base profile standard type

157" (4000) stock length

Weight in lb/ft (kg/m)

Aluminum 0.037 (0.055)

Weight in lb/ft (kg/m)

Aluminum .805 (1.200)

for 3/8" (10) through 3/4" (19) glass thickness

Ref. No. 807.045

- 3/8" (10) glass

Ref. No. 807.004

- 1/2" (12) glass

Ref. No. 807.085

- 5/8" (16) glass

Ref. No. 807.087

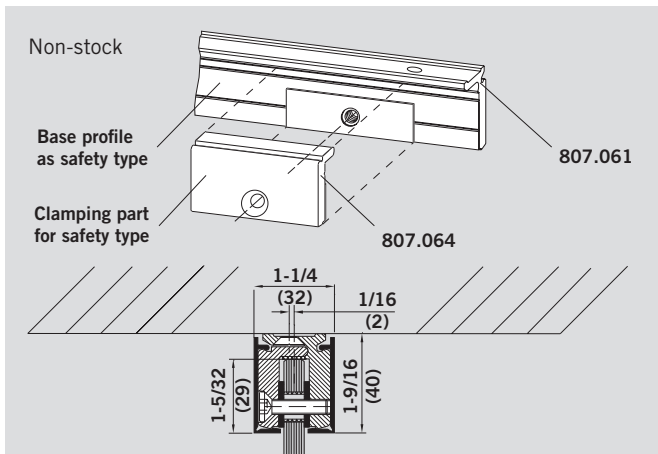
- 3/4" (19) glass

Ref. No. 807.089

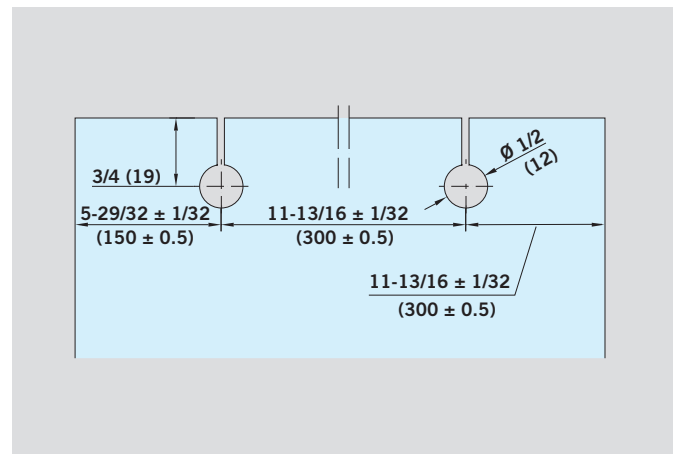
Clamping part standard type

2-3/8" (60) long with screw and gasket

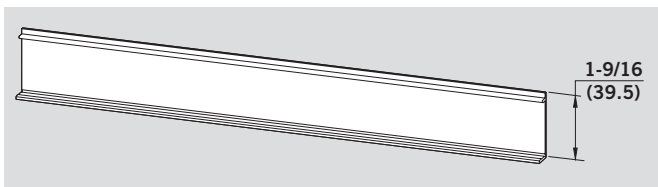
Tempered monolithic 3/8" (10) glass only



Glass preparation for safety type mechanical channel



Clip on cover, end caps & filler block



Clip on cover profile

157" (4000) stock length, brass, stainless steel, satin and stainless steel polished available

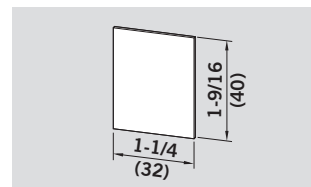
Ref. No. 807.003

Weight in lb/ft (kg/m)

Aluminum 0.137 (0.203)

Brass 0.252 (0.373)

Stainless Steel 0.252 (0.373)



End cap for 3/8" (10) and 1/2" (12) glass thickness

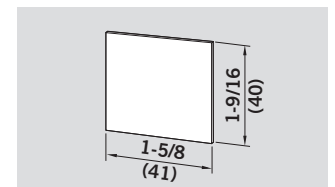
Ref. No. 807.007

Weight in lb (kg)

Aluminum 0.484 (0.220)

Brass 1.383 (0.629)

Stainless Steel 1.348 (0.613)



End cap for 5/8" (15) and 3/4" (19) glass thickness

Ref. No. 807.065



www.dorma.com



DORMA USA, Inc.
Dorma Drive, Drawer AC
Reamstown, PA 17567
Tel: 800 523 8483
Fax: 800 274 9724
archdw@dorma-usa.com

DORMA Canada
1680 Courtney Park Drive, Unit 13
Mississauga, Ontario L5T 1R4
Tel: 800 387 4938
Fax: 905 670 5850
www.dormacanada.com

DORMA Mexico
Calle Sur 110 no. 63, Col. Tolteca
01150 México, D.F.
Tel: 5255 5272 6937
Fax: 5255 5272 6948
operacion@dorma.com.mx